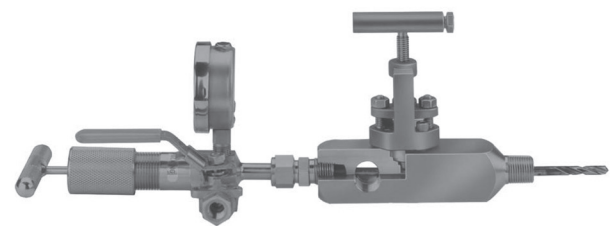
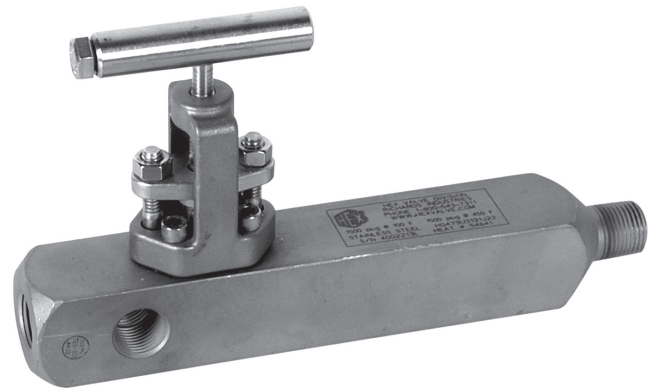


The HG47 is a roddable, hard seated orifice valve that overcomes the drawbacks of conventional valve designs. Ideal for use on high temperature, viscous services — the HG47 provides full port, unrestricted flow. The HG47 features an OS&Y bolted bonnet with weld or threaded connections. The accessible hard seat insert and nonrotating tip (NRT) stem are machined for precision fit, yet field-replaceable to allow for long service life.

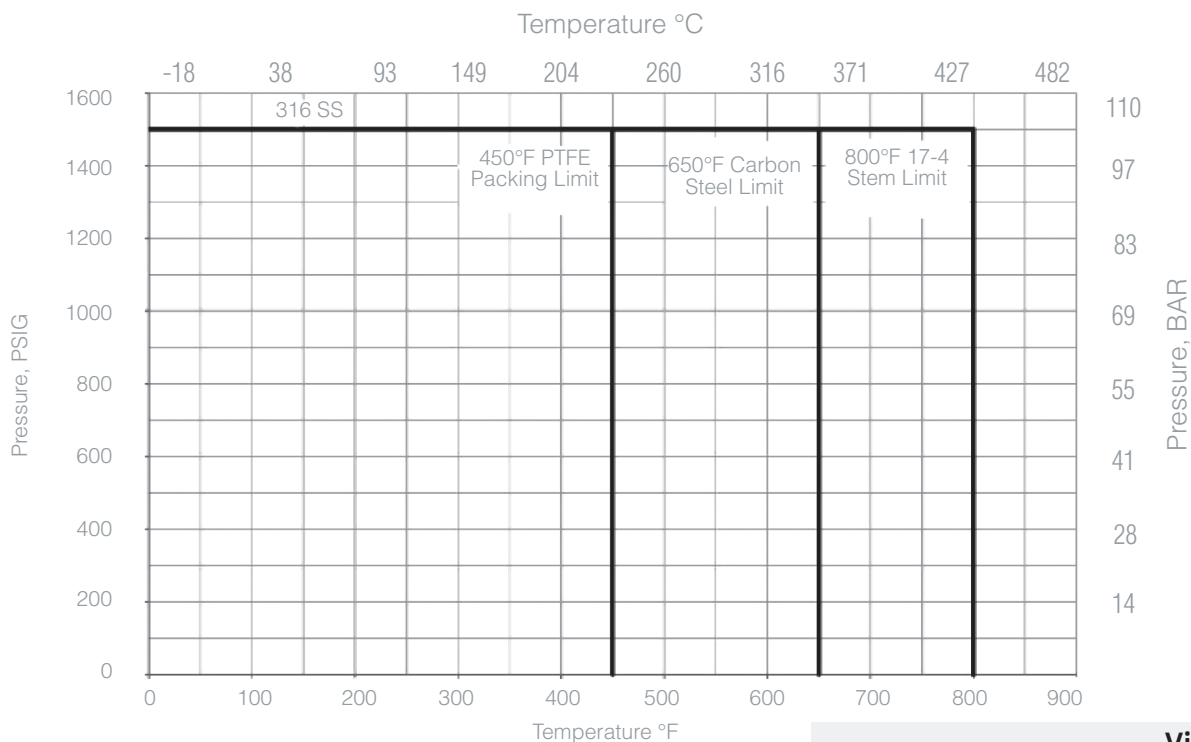
### Features and Benefits

- Cost savings by reducing number of components and leak points.
- Compact design allows for less space to be used with used with other valves.
- Non-rotating tip eliminates seat galling
- Packing below the threads prevents lubricant wash out and corrosion.



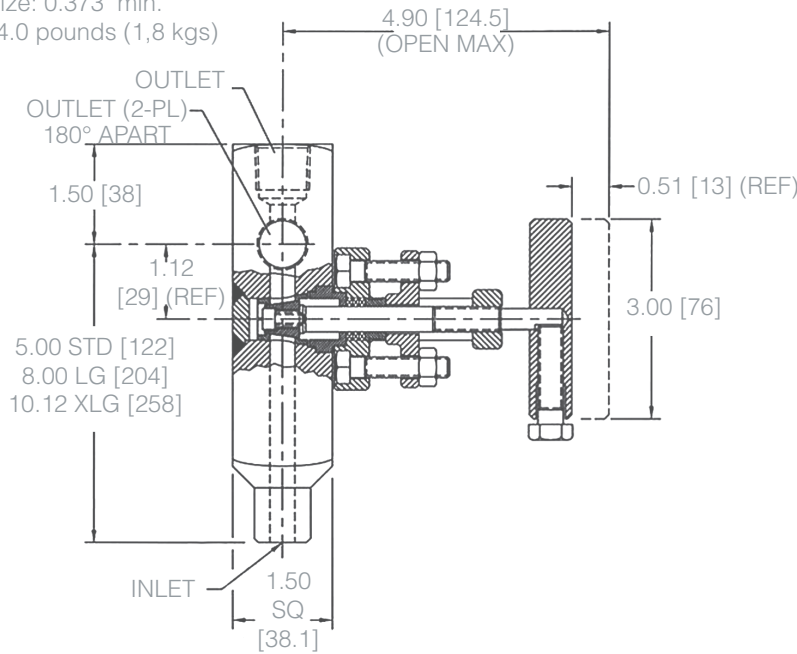
HG47 shown with typical rodding tool (not supplied with products).

### Pressure and Temperature Chart

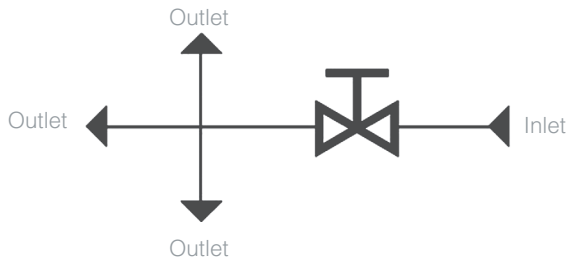


## Dimensions

Orifice Size: 0.373" min.  
Weight: 4.0 pounds (1,8 kgs)



## Flow Schematic for HG47



## How to Order

Model Number	Seat Configuration	Body Material	Inlet Size	Inlet Type	Outlet Size	Outlet Type	Stem / Tip	Seat Material*	Packing	Optional Items
HG47	1 = Hard	S = Carbon Steel (A108)	3 = 1/2"	1 = MNPT	3 = 1/2"	1 = FNPT	J = 316 SS NRT / 17-4 PH	2 = 316 SS Insert	2 = TFE-Chevron	2 = 410 SS Bolting
	3 = Hard, "LG" Extension	U = Stainless Steel (SA-479 ; 316)	4 = 3/4"	2 = MSW		A = HB241			3 = Graphite	
	5 = Hard, "XLG" Extension	P = Carbon Steel (A105)		3 = FNPT		R = Plug (1)				
				4 = FSW		F = HB241 + Plug (1)				

\*For additional hard seat materials, contact factory.

## Sample Ordering Schematic

HG47	1	S	3	3	3	1	B	2	2	2
------	---	---	---	---	---	---	---	---	---	---