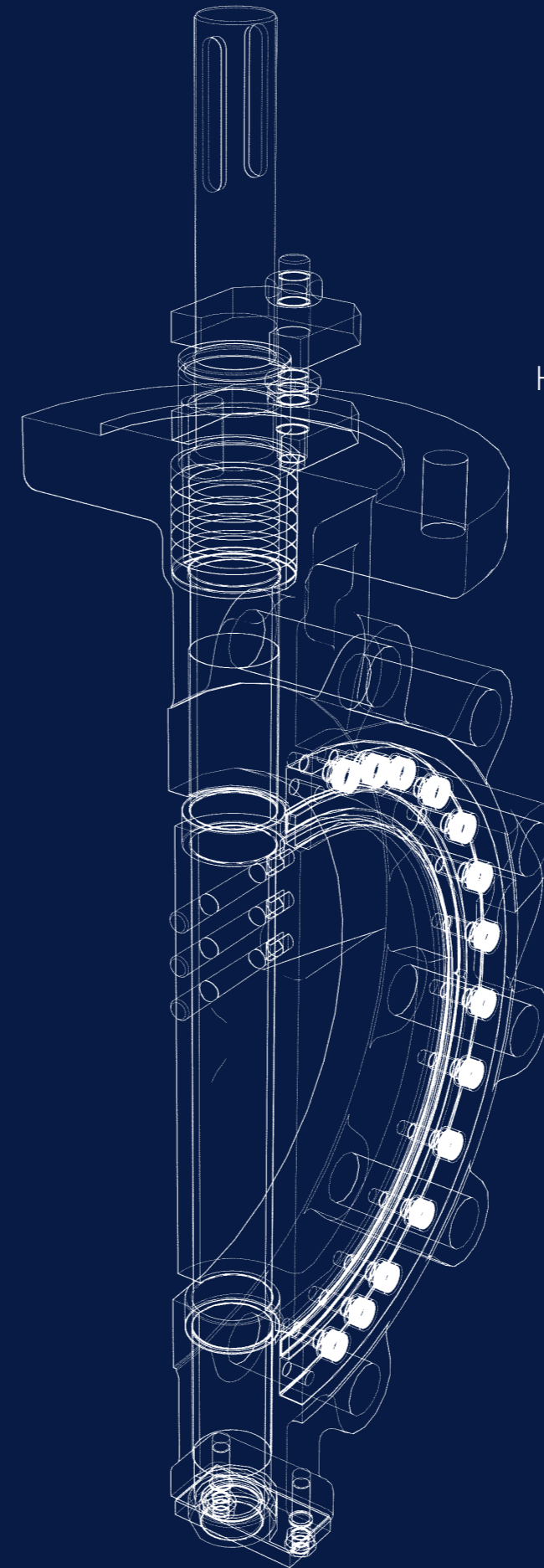


8300 Series

High Performance Butterfly Valves



Engineering
Excellence

Head Office – Brighouse UK
Heywoods Industrial Park,
Birds Royd Lane,
Brighouse, HD6 1NA.

T: +44 (0)845 6070 710
E: sales@severnvalve.com

Gloucester UK
Olympus Park,
Quedgeley,
Gloucester, GL2 4NF.

T: +44 (0)845 223 2040
E: sales@severnvalve.com

Chennai India
F96 & F97, SIPCOT Industrial Park,
Irrungattukottai, Chennai,
Tamilnadu, India - 602 117.

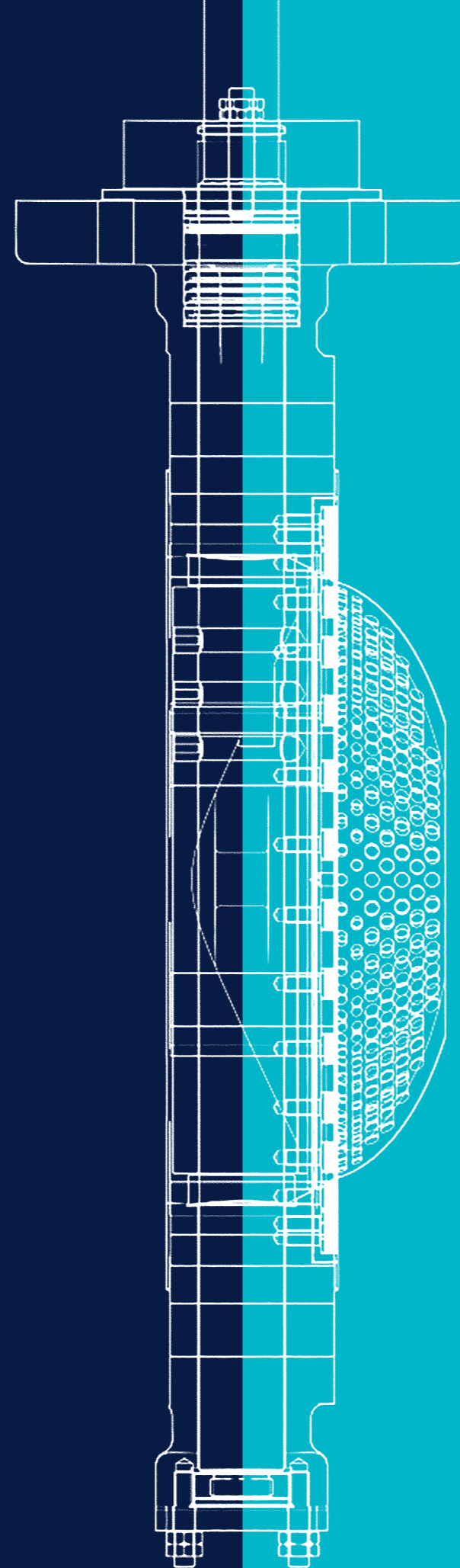
T: +91 44 4710 4200
E: sales@severnvalve.com



Engineering
Excellence

Contents

Introduction	01
Engineering data	02 – 03
Dimensions	04
Flow Coefficients Cv	04 – 05



8300 SERIES

Severn's 8300 Double Offset High Performance Butterfly Valve Series enables the disc to achieve a uniform 360° seal contact and to move into and break out from the seat with the minimum of wear.

The seat design ensures low seating and breakout torque, resulting in smaller actuators and improved economy when selection from the various forms of actuation available.

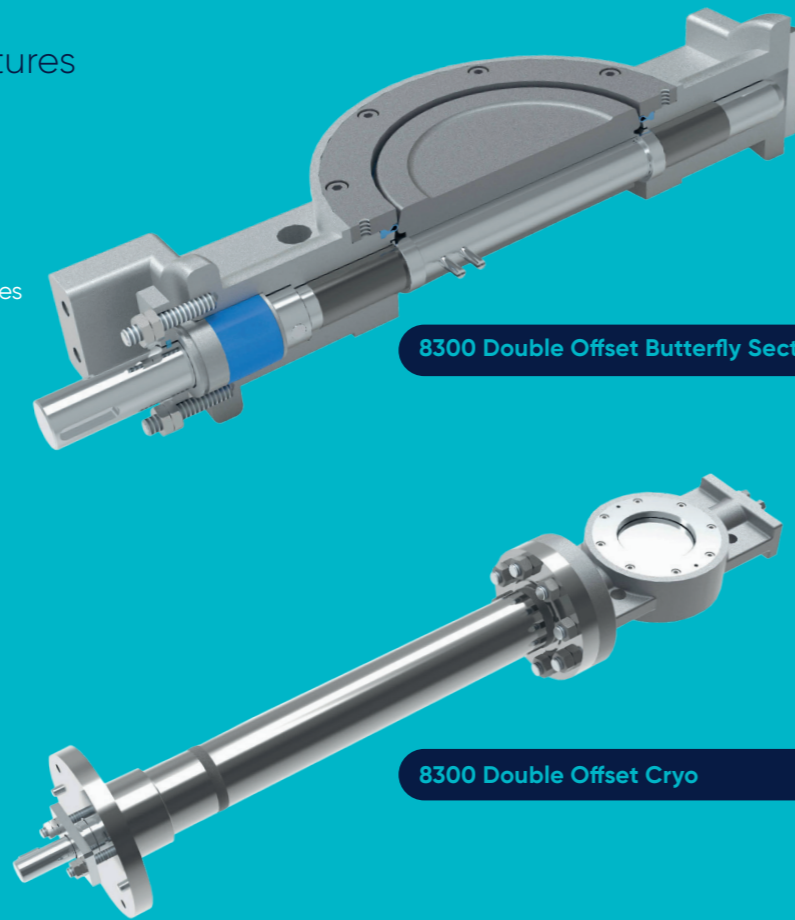
Across the size range, the 8300 Series has a variety of distinct features, all designed to reduce wear and control effectively to support durable performance, ensuring you meet your core imperatives of safe operations and minimum downtime.



Engineering data

High performance – Design features

- ✔ Self-energising seat at low pressure
- ✔ Pressure energized at high pressure compensating for wear and temperature
- ✔ Seat energizer fully isolated by PTFE envelope
- ✔ Cavities minimised to avoid ingress of particulates
- ✔ Temperature ratings from -196°C to +230°C
- ✔ Shut off pressures up to 100 Bar
- ✔ The quarter turn design ensures ease of actuation for both control and on/off duties
- ✔ Standard face to face dimensions to API 609 /ISO 5752 and B16.10 with non-standard dimensions available on request.
- ✔ Valve size range – 2in (50mm) – 48in (1200mm) with larger sizes available on request
- ✔ Body pressure ratings up to 2500lb
- ✔ Can be manufactured in all commercially available metals in cast, forged or plate form.
- ✔ Non-graphite options available for seawater service
- ✔ Anti-blowout stem as standard on #300 ratings and above

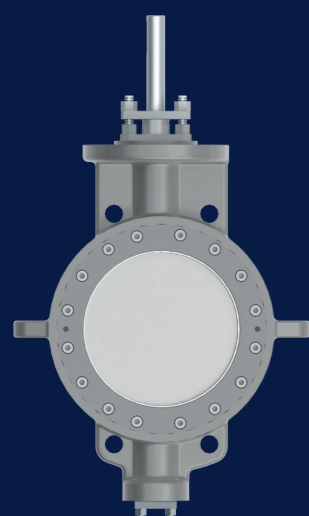


Performance benefits

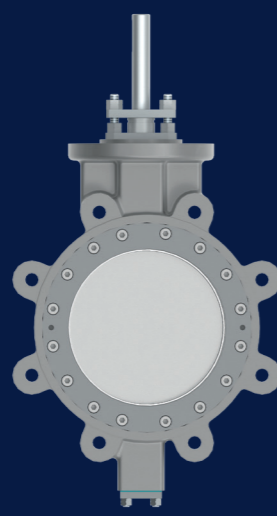
- ✔ The double eccentric action enables the disc to achieve a uniform 360° seal contact and to move into and break out from the seat with the minimum of wear
- ✔ The seat design ensures low seating and breakout torque
- ✔ Anti cavitation trims and baffle plates available to reduce cavitation and noise issues
- ✔ Reliable leakage performance bubble tight shutoff

Valve body style options

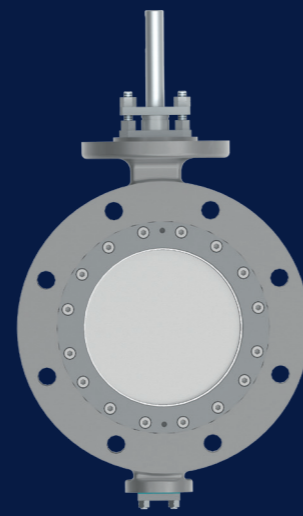
The 8300 series valve is available in 3 basic body styles, Wafer, Lugged and Double Flanged (long and short pattern) special face to face and BWE options are available on request.



Wafer

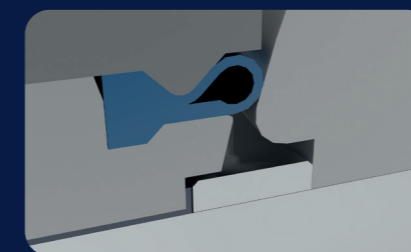


Lugged

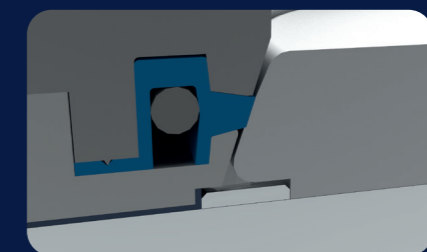


Double Flanged

Seat options available

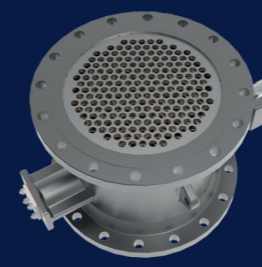


High Performance Seal

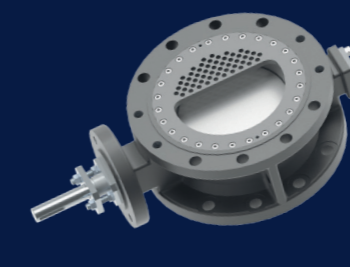


HP Cryo Seal

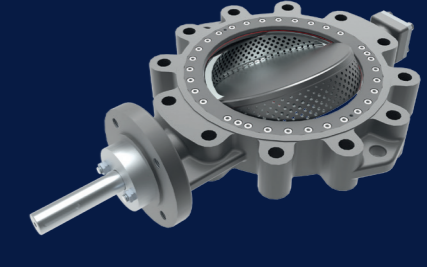
Trim options available



Full Baffle



Half Baffle



Anti-Cavitation

Engineering data (continued)

End connection sizes/types

2in (50mm) – 48in (1200mm), larger sizes available on request. Wafer, Lugged, Flanged or Butt Weld Ends. For other styles please contact us.

Valve body ratings

ASME 150 – ASME 2500
EN 1092 PN 10 to PN 400

Body configurations

Wafer, Lugged, Double Flanged and Butt Weld End

Body face to face dimensions

API 609/ISO 5752 and B16.10 with non-standard dimensions available on request.

Bonnet styles

Standard and cryogenic

Standard valve packing

Teflon and graphite

Trim options

Anti cavitation, baffles, half baffles and hard faced

Seat leakage class

Up to ANSI/FCI 70.2.
Class IV to VI, API 598
Zero available on request

Construction materials

A wide range of standard materials are available for both the valve pressure containing parts and trim, including carbon and stainless steel, duplex/ super duplex, aluminum bronze, titanium and high nickel alloys. Stellite, and other hard facings/coatings are available. For further details on materials please contact us.

Paint

A wide range of paint finishes are available including enamel, alkyd gloss and various epoxy finishes.

Clean build

Severn maintains high clean build standards-utilising clean build areas including Oxygen clean and a Ultra High Purity clean room.

Actuation

We offer a wide range of actuators including – pneumatic scotch yoke and rack and pinion, electric, hydraulic, electro hydraulic and manually operated.

Instruments

A wide range of control instruments are available from Severn including positioners, air-filter regulators, volume boosters, solenoid valves, and lock-up valves.

Applications

Offshore Platform and FPSO

- ✔ Seawater lift pump back pressure control
- ✔ Ballast water flow control
- ✔ Hydrocarbon gas flow control
- ✔ Fire main bypass control

Refinery

- ✔ Flare gas control
- ✔ Flow Balancing for Fiscal Metering

Power Generation

- ✔ LP and MP Steam control
- ✔ Cooling water flow and back pressure control
- ✔ Cooling Tower de-icing

LNG Storage and Transportation

- ✔ Loading and unloading flow control
- ✔ LNG Recirculation control
- ✔ LNG Tank flow control

Urea, Ammonia and Fertilizer Production

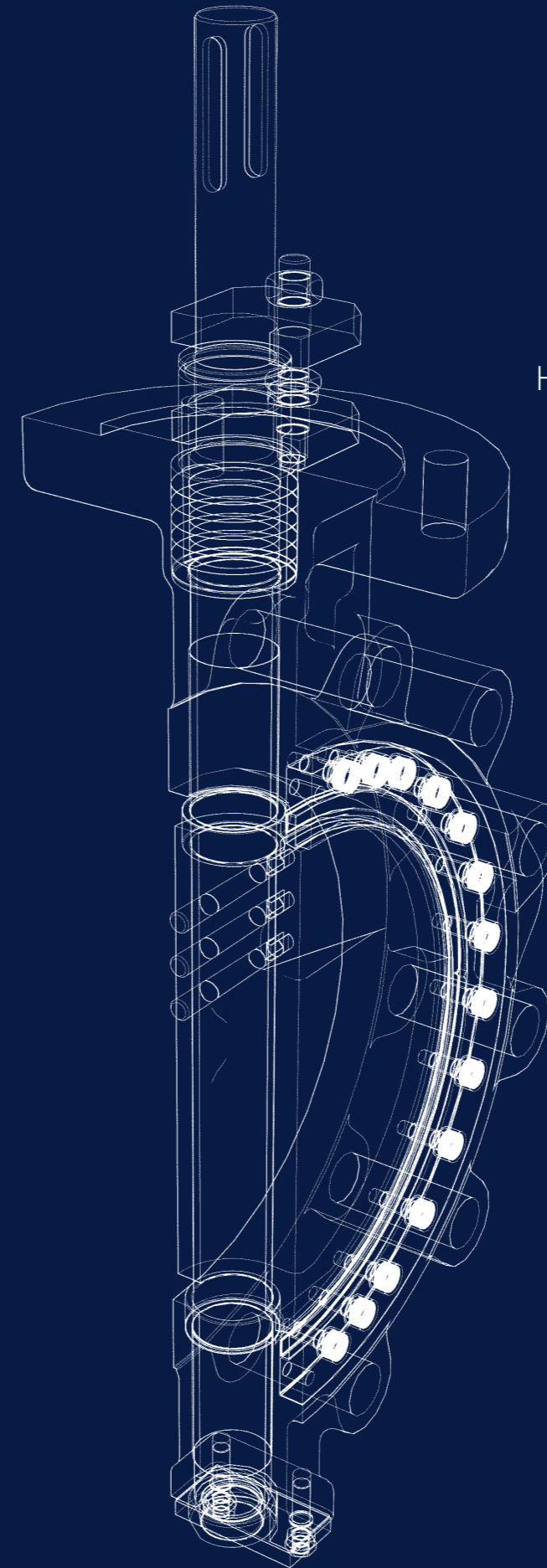
- ✔ Synthesis gas flow control
- ✔ Urea flow control
- ✔ HP steam pressure reduction

Desalination

- ✔ Seawater make up level control
- ✔ Brine Recycle
- ✔ Brine blow down
- ✔ Condensate back pressure control
- ✔ Distillate back pressure and flow control

8300 Series

High Performance Butterfly Valves



Vinnova Exploration
sales@vinnova.asia
063-271-9119
www.vinnova.asia



Engineering
Excellence

Head Office – Brighouse UK
Heywoods Industrial Park,
Birds Royd Lane,
Brighouse, HD6 1NA.

T: +44 (0)845 6070 710
E: sales@severnvalve.com

Gloucester UK
Olympus Park,
Quedgeley,
Gloucester, GL2 4NF.

T: +44 (0)845 223 2040
E: sales@severnvalve.com

Chennai India
F96 & F97, SIPCOT Industrial Park,
Irrungattukottai, Chennai,
Tamilnadu, India - 602 117.

T: +91 44 4710 4200
E: sales@severnvalve.com



Engineering
Excellence