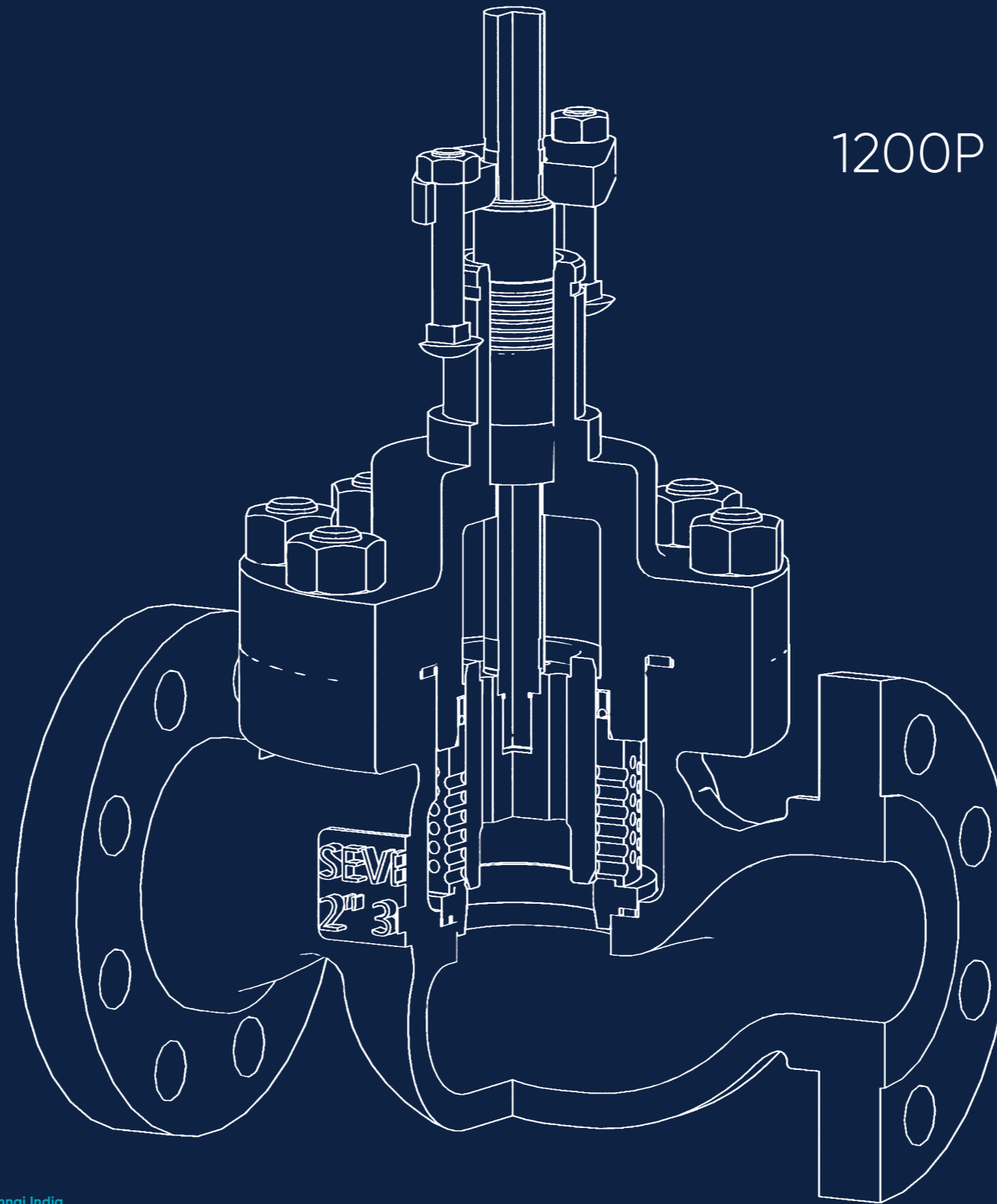


# 1200P Series Globe Valves

Pressure Class ASME 150-600



Engineering  
Excellence

**Head Office – Brighouse UK**  
Heywoods Industrial Park,  
Birds Royd Lane,  
Brighouse, HD6 1NA.

T: +44 (0)845 6070 710  
E: sales@severnvalve.com

**Gloucester UK**  
Olympus Park,  
Quedgeley,  
Gloucester, GL2 4NF.

T: +44 (0)845 223 2040  
E: sales@severnvalve.com

**Chennai India**  
F96 & F97, SIPCOT Industrial Park,  
Irrungattukottai, Chennai,  
Tamilnadu, India - 602 117.

T: +91 44 4710 4200  
E: sales@severnvalve.com

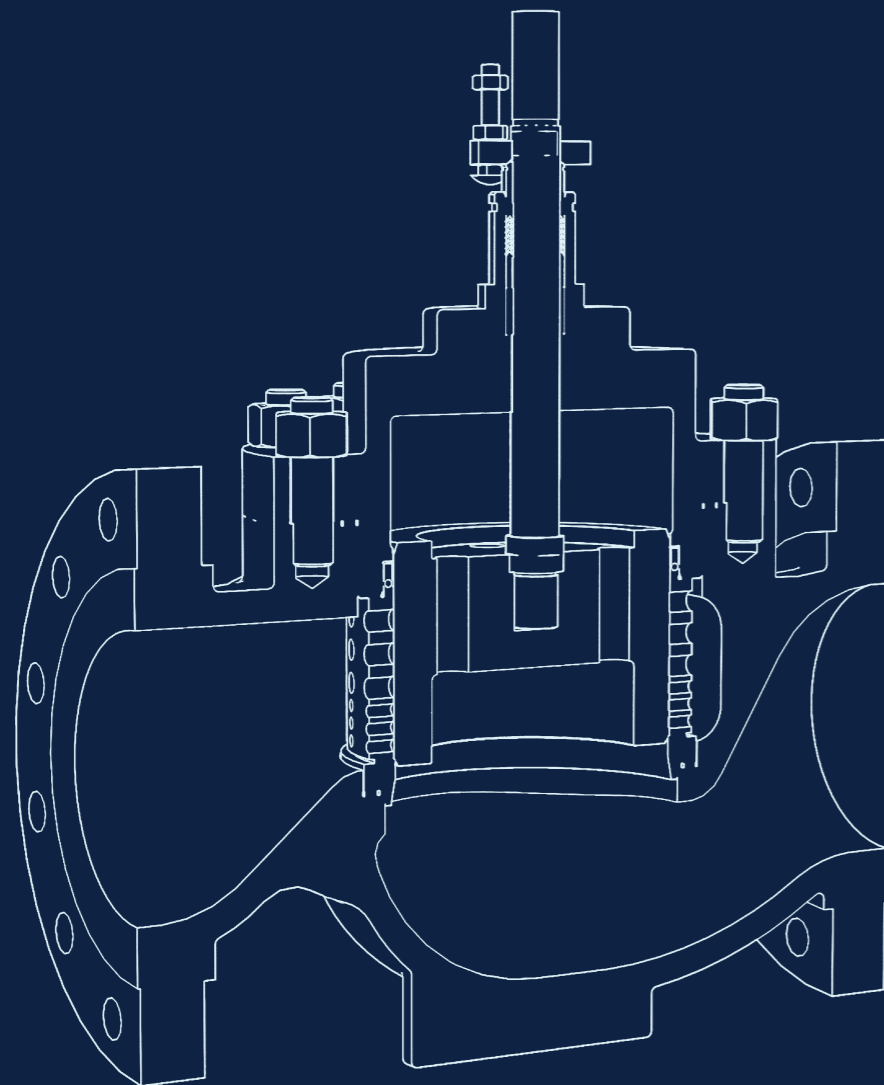
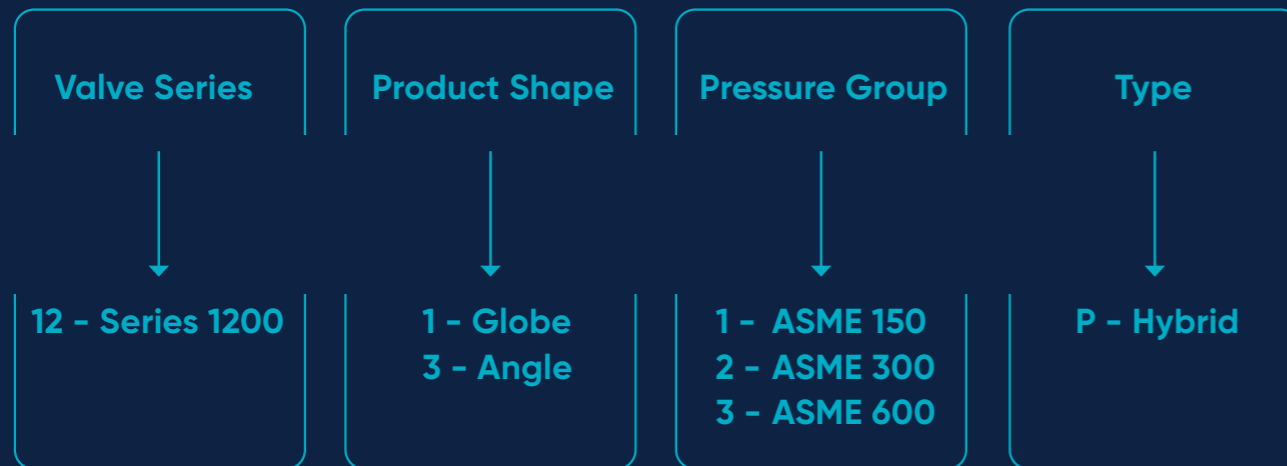


Engineering  
Excellence



## Valve Model Numbering

This series cover valves from size 1 inch to 12 inch and pressure class ASME 150 to 600. It also offers versatile trim characteristics and Cv options. It is multipurpose and suitable for cavitating / flashing applications or noise service.



## Engineering data

### Model

1200P Series Globe Valve

### Sizes

2inch - 24inch

### Design Standard

ASME B16.34

### Face to Face

ISA 75.08 / IEC 60534-3-1

### Body Style

2-way Globe straight  
Angle Body

### Body Material

Wide ranging options including;  
WCB / WCC, LCB / LCC,  
CF8M, CF3M, Duplex Gr.4A and Super duplex Gr.6A.

### Pressure Class

ASME 150 - 600

### End Connection

Integral flanged (RF/FF/RTJ\*), ASME B16.5  
\*RTJ (For 14-24in ASME 600 Only)  
Butt Weld End, ASME B16.25  
Socket Weld End, ASME B16.11

### End Finish

125-250 AARH and 63-125 AARH

### Bonnet Styles

Standard  
Extended  
Above Bonnet styles are available only  
in balanced configuration.

### Gland Packing

PTFE Chevrons  
Graphite  
High integrity packing

### Body / Bonnet bolting

| Valve Material | Non Sour Service |     | Sour Service (NACE MR0175) |     |
|----------------|------------------|-----|----------------------------|-----|
|                | Stud             | Nut | Stud                       | Nut |
| CS             | B7               | 2H  | B7M                        | 2HM |
| LT. CS         | L7               | 7L  | L7M                        | 7ML |
| SS / DSS       | B8M              | 8M  | B8M                        | 8MA |

### Gaskets

316L spiral wound gaskets with graphite filler, standard. 32760  
spiral wound gaskets with graphite filler, optional.

### Trim Options

The trims are designed for easy assembly and maintenance. The "Clamped Seat - Quick change design" of 1200 series requires no special tooling for assembly and maintenance.

### The Series offers the following trim styles in balanced configuration

Ported cage.  
Concentric cages 1CC and 2CC.  
1CC ported cages - unbalanced and balanced configuration.  
2CC cages - balanced configuration.  
In Concentric cages, flow under is suited for aerodynamic noise control service and flow over is suited for cavitating and flashing service.

### Inherent Trim Characteristics

Equal percentage  
Linear  
Bi-Linear

### Guiding

Cage / Top guided.

### Balance seal options

Spring energized PTFE lip seal (-196°C to 232°C)  
Graphite laminates w/ scrapper rings (232°C to 427°C)

### Hard facing

Wide ranging options available.  
Refer to Table 1 for suitable combinations.  
More options available on request.

### Seat Leakage

ANSI / FCI 70.2 / IEC 60534-4 Class IV is standard.  
Class V with metal seat.  
Class VI with soft seat insert.

### NACE MR0175 and MR0103

The 1200 Series product design, characteristic and manufacturing process assures easy compliance of body, bonnet, trim and bolting material with the requirement of NACE MR0175 / ISO 15156 and MR0103.

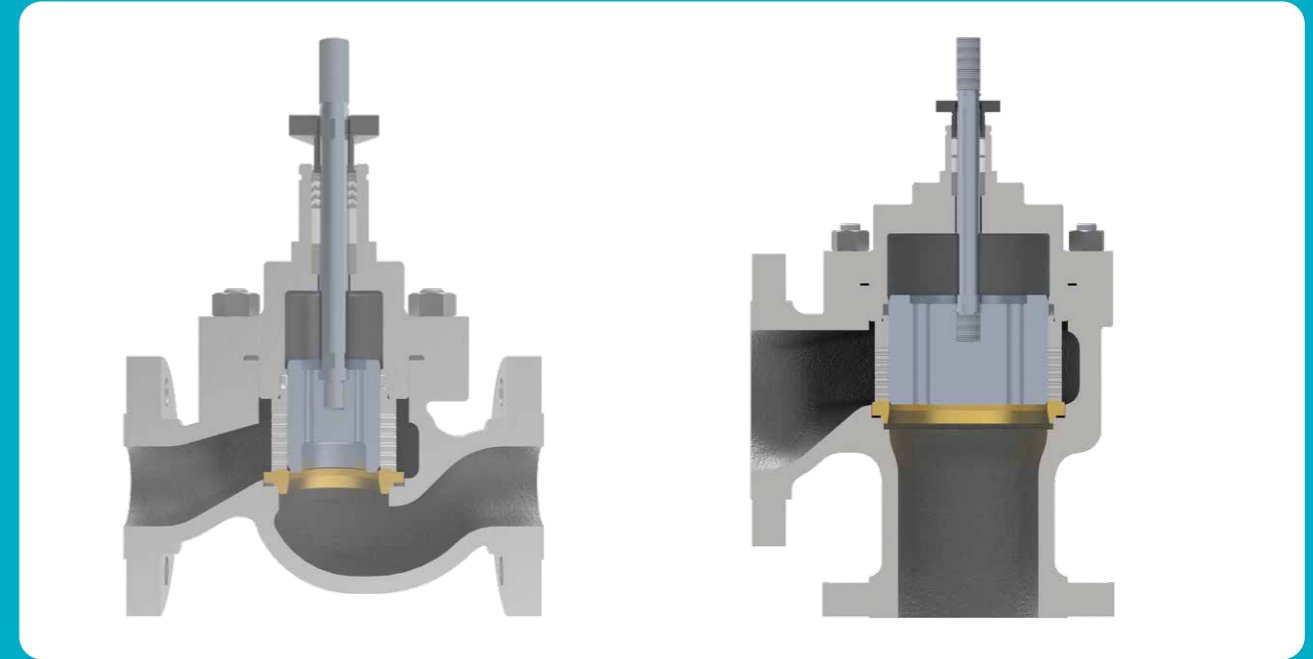
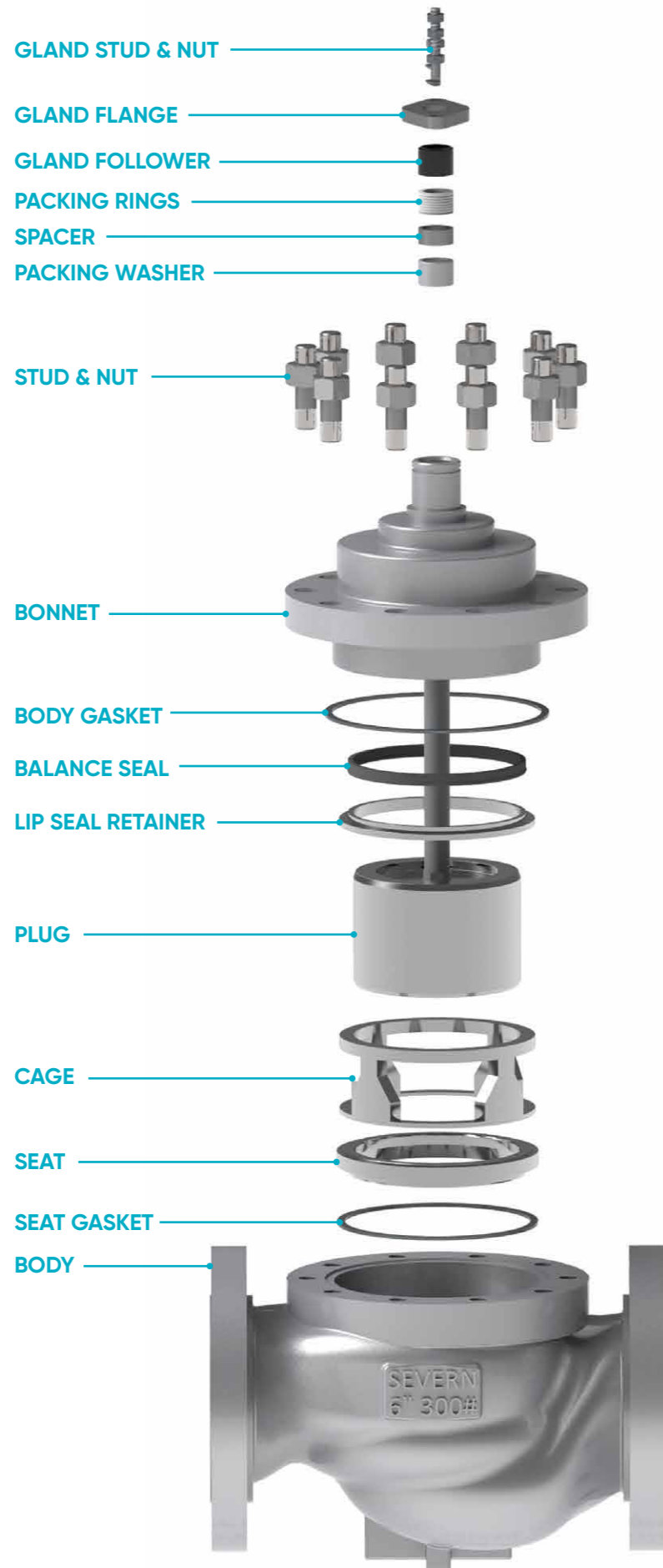
### Actuation\*

P-Series, Pneumatic Piston Cylinder actuator.  
Hydraulic/ Electric / Electrohydraulic actuators.  
Manual actuators.

### Accessories

A wide range of control instruments are available from Severn, including : Positioners, Air-filter Regulators, Volume Boosters, Solenoid Valves, and Lock-up Valves.

\* Flow coefficient and dimensional details of Globe valves offered with 'P Series' Actuators can be referred in 1200P catalogue - PLN/120P/3.07/01.

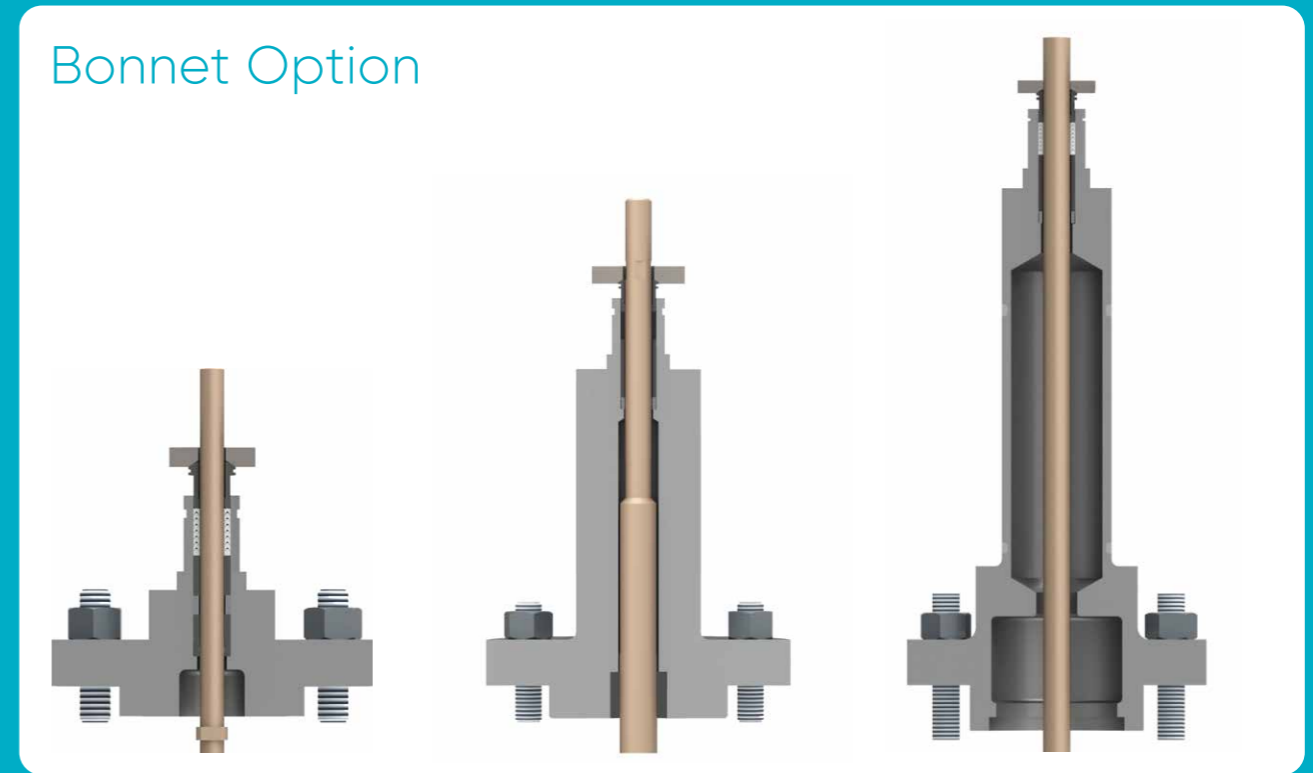


### Globe Body

1200 Globe bodies with carefully designed streamlined flow passages offer excellent flow capacities.

### Angle Body

1200 Series angle valves are typically offered with reduced seat allowing it to effectively handle increasing fluid velocities in flashing application.



### Standard bonnet

The standard bonnet enables the forming of a deep packing box that is suitable for single or double packing with leak off connection. With PTFE packing standard bonnet is suitable to operate in a temperature range  $-29^{\circ}\text{C}$  to  $232^{\circ}\text{C}$ .

### Extended Bonnet

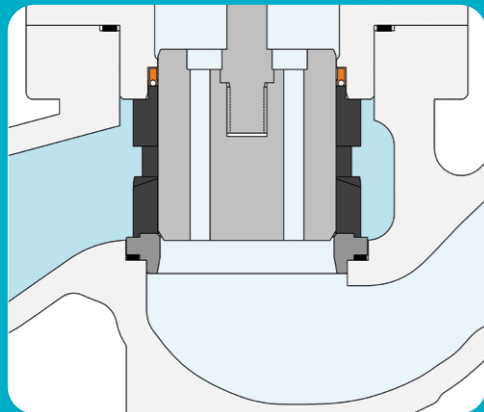
The extended bonnets are designed to function within the temperature range of  $-46^{\circ}\text{C}$  to  $-29^{\circ}\text{C}$  and  $232^{\circ}\text{C}$  to  $427^{\circ}\text{C}$ . Its construction protects the packing from high temperature. It accommodates all types of packing boxes that are required to meet stringent emission levels.

### Cryogenic Bonnet

The Cryogenic bonnets are designed to typically operate in service conditions with temperature ranging from  $-46^{\circ}\text{C}$  to  $-196^{\circ}\text{C}$ . The length of the extension is sufficient to maintain the stem packing at temperature that is within normal operating conditions of the packing.

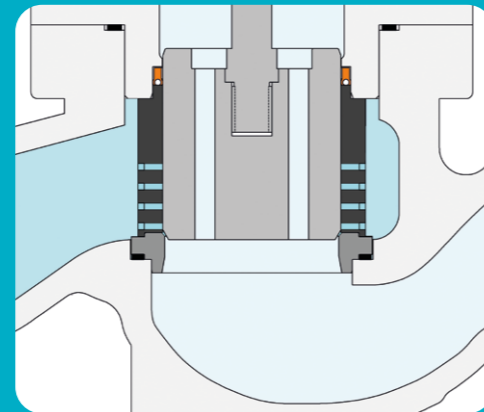
# Trim options

## Ported Cage



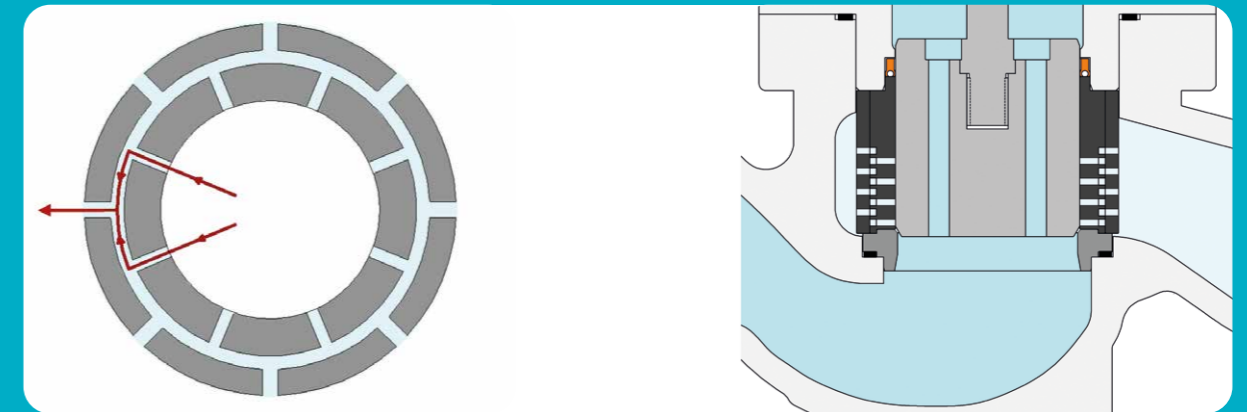
In this type, the trim characteristic is achieved through the profile of the port opening of the cage. Multiple ports enable streamlined flow. Large cage guiding, interchangeability of trim parts and high flow capacity are the defining features of this design.

## 1CC Concentric Cage Trim



Single and multiple heavy section 'drilled hole' cage design offers low pressure recovery that reduce the potential for excessive noise, cavitation, vibration and erosion. The CC trim range has been designed to operate on all fluid combinations, both clean and dirty service. The CC range of trims is normally the first choice for medium to relatively high pressure drop applications.

## 2CC Concentric Cage Trim (Gas Application)

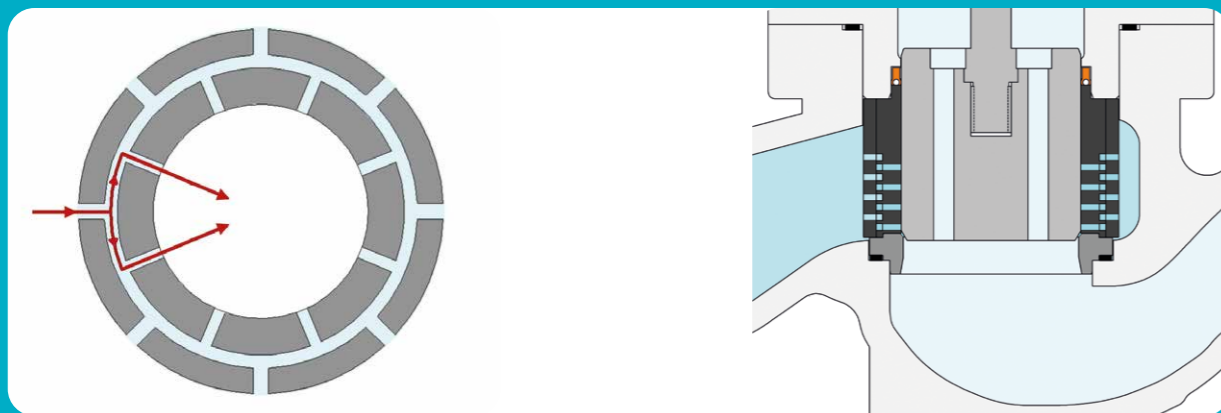


In gas applications, multiple cage designs are used to reduce the noise and vibration caused by abrupt pressure reduction in high pressure drop. The fluid flow is split into numerous small flow streams. There by substantially shifting the frequency of the generated noise beyond the audible spectrum. The pressure is dropped in many stages in velocity controlled manner through an expanding flow passage.

For this purpose flow under is preferred for gas application. Flow over may lead to generation of low frequency secondary noise due to pressure drop at the seat due to increased volume flow of the expanded gas.

Individual fluid streams emanating from the cage holes are allowed to impinge upon each other in the transfer passageways before taking a right angle turn and entering into the next cage holes. This way noise and vibration are reduced.

## 2CC Concentric Cage Trim (Liquid Application)



The erosive effect of cavitation is controlled by reducing the kinetic energy of the fluid by splitting the flow into many small flow streams. Multiple stage pressure let-down offered by 2CC trims results in low pressure recovery, thereby reducing the possibility of cavitation. The internal flow resistance offered by co-mingling of the adjacent flow streams acts as additional pressure drop stage, further reducing the pressure recovery.

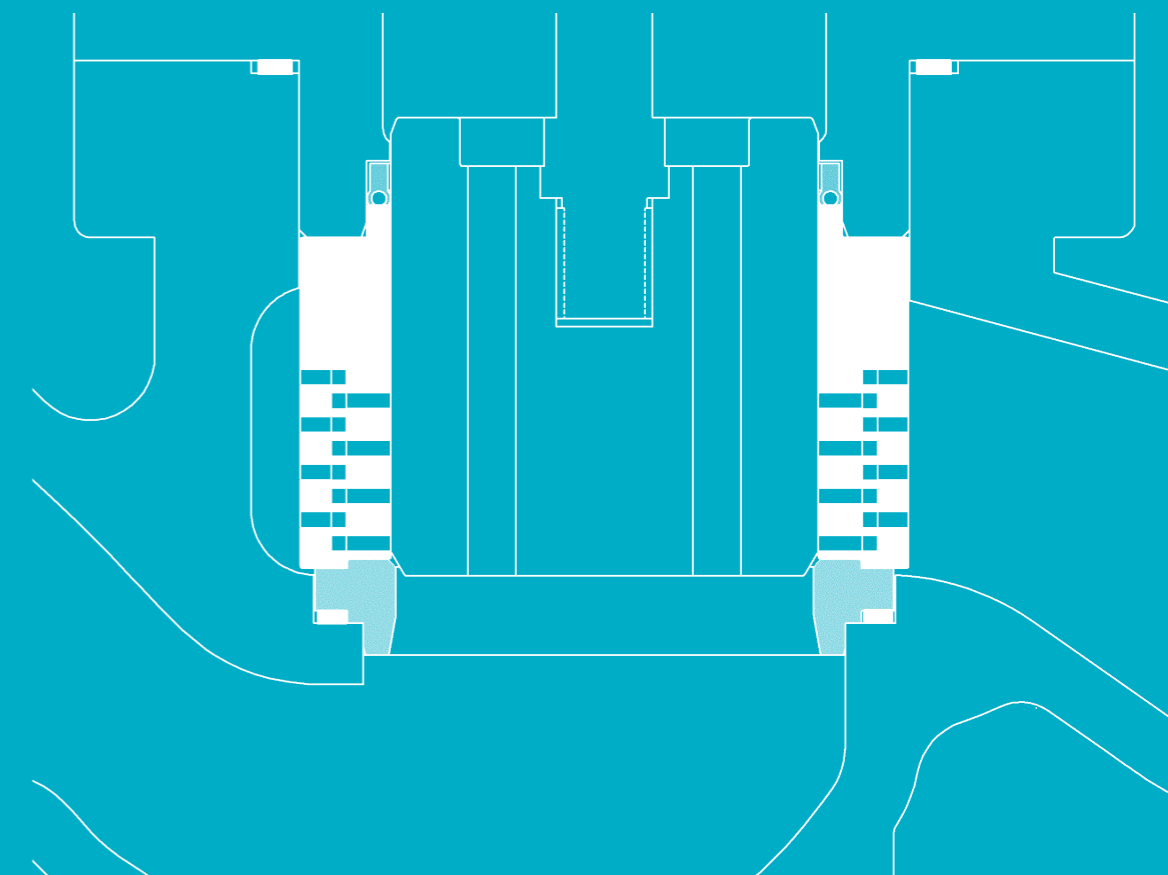
Localised erosion due to release of enormous kinetic energy by implosion of bubbles is avoided by allowing vapour bubbles to implode at the middle of the cage (far away from metal surfaces). For this purpose flow over is always recommended for liquid applications. Flow under shall be avoided in order to protect the body gallery from the impingement of the fluid jet emanating from outer cage causing damage.

The internal flow resistance offered by co-mingling of the adjacent flow streams acts as additional pressure drop stage, further reducing the pressure recovery.

Any vapour bubbles emanating from the cage assembly are allowed to implode at the middle of the cage (far away from metal surfaces). Localised erosion due to release of enormous kinetic energy by implosion of bubbles is thus avoided. For this purpose, flow-over direction is always recommended for liquid applications. Flow under shall be avoided in order to protect the body gallery (pressure boundary) from the impingement of the fluid jet emanating from outer cage causing damage.

Individual fluid streams emanating from the cage holes are allowed to impinge upon each other in the transfer passage-ways before taking a right angle turn and entering into the next cage holes. This way the pressure drop, gets converted into heat energy and carried by the fluid flow instead of getting converted into noise and vibration.

Flow under is the preferred flow direction for gas application. Flow over may lead to generation of low frequency secondary noise due to pressure drop at the seat due to increased volume flow of the expanded gas.





## Trim options (Continued)

Table 1 – 1200 Series – Trim material combinations

| Trim type                  | Plug                  | Stem             | Seat              | Cage | Clamp          | Retainer |
|----------------------------|-----------------------|------------------|-------------------|------|----------------|----------|
| Contoured/<br>Micro spline | 316                   | 316 /<br>17-4 PH | 316               | -    | 316 + Alloy 6* | -        |
|                            | 316                   |                  | 316 + PTFE        | -    | 316 + Alloy 6* | 316      |
|                            | 316 Hard Faced SA     |                  | 316 Hard Faced SA | -    | 316 + Alloy 6* | -        |
|                            | 316 Hard Faced FC     |                  | 316 Hard Faced FC | -    | 316 + Alloy 6* | -        |
| Cage guided                | 316 Hard Faced GA     | 316 /<br>17-4 PH | 316               | 316  | -              | -        |
|                            | 316 Hard Faced GA 316 |                  | 316 + PTFE        | 316  | -              | 316      |
|                            | 316 Hard Faced FC     |                  | 316 Hard Faced FC | 316  | -              | -        |

SA - Seat Area, FC - Full Contoured, GA - Guide Area. Trim parts are also available in Duplex, Super duplex or Inconel. Soft seat option is not available with micro spline trim. \*Hard facing in Clamp is not available with micro spline trim.

## Gland packing options

Variety of packings are available to suit wide ranging requirements of the industry. Most commonly offered packing types include:



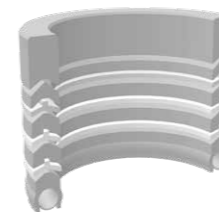
### PTFE Chevrons

Usually offered as a set of PTFE V-rings, with anti extrusion rings at the ends. May be offered in two sets when used for vacuum service, with inverted V-ring on the top and upright V-ring at the bottom facing the process medium. PTFE Chevrons are preferred for their excellent sealing capability, low friction and cost effectiveness. The operating temperature ranges from -196°C to 232°C.



### Graphite packing

These are self lubricating and does not require external lubrication. They are suitable for a wide range of temperatures from -196°C to 450°C. It achieves fugitive emission Class A and Class B as per ISO 15848.



### High integrity packing

The packing set consist of two sets of sealing rings and adaptors in cup and cone configuration with varying densities. This arrangement allows selective component compression resulting in effective sealing through out wide ranging temperatures (-196°C to 232°C) and pressures. The packing is also equipped with a spring energized lip seal at the bottom facing the process medium and an anti extrusion ring on the top. It achieves fugitive emission Class B as per ISO 15848.

## Hard Facing

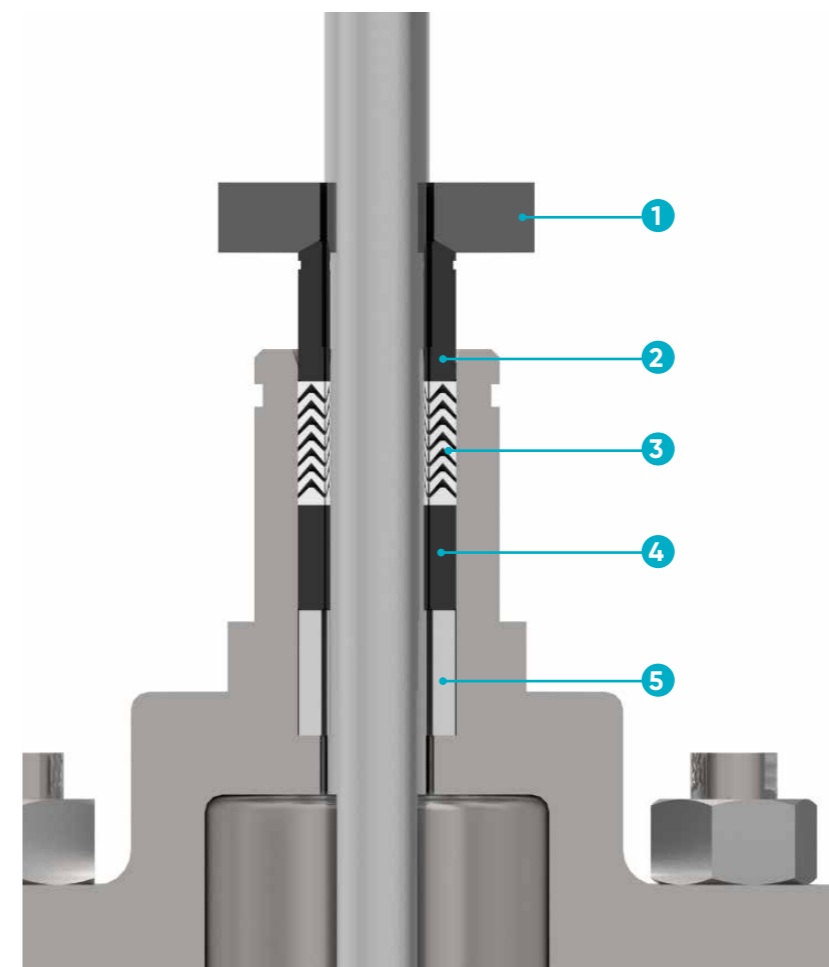
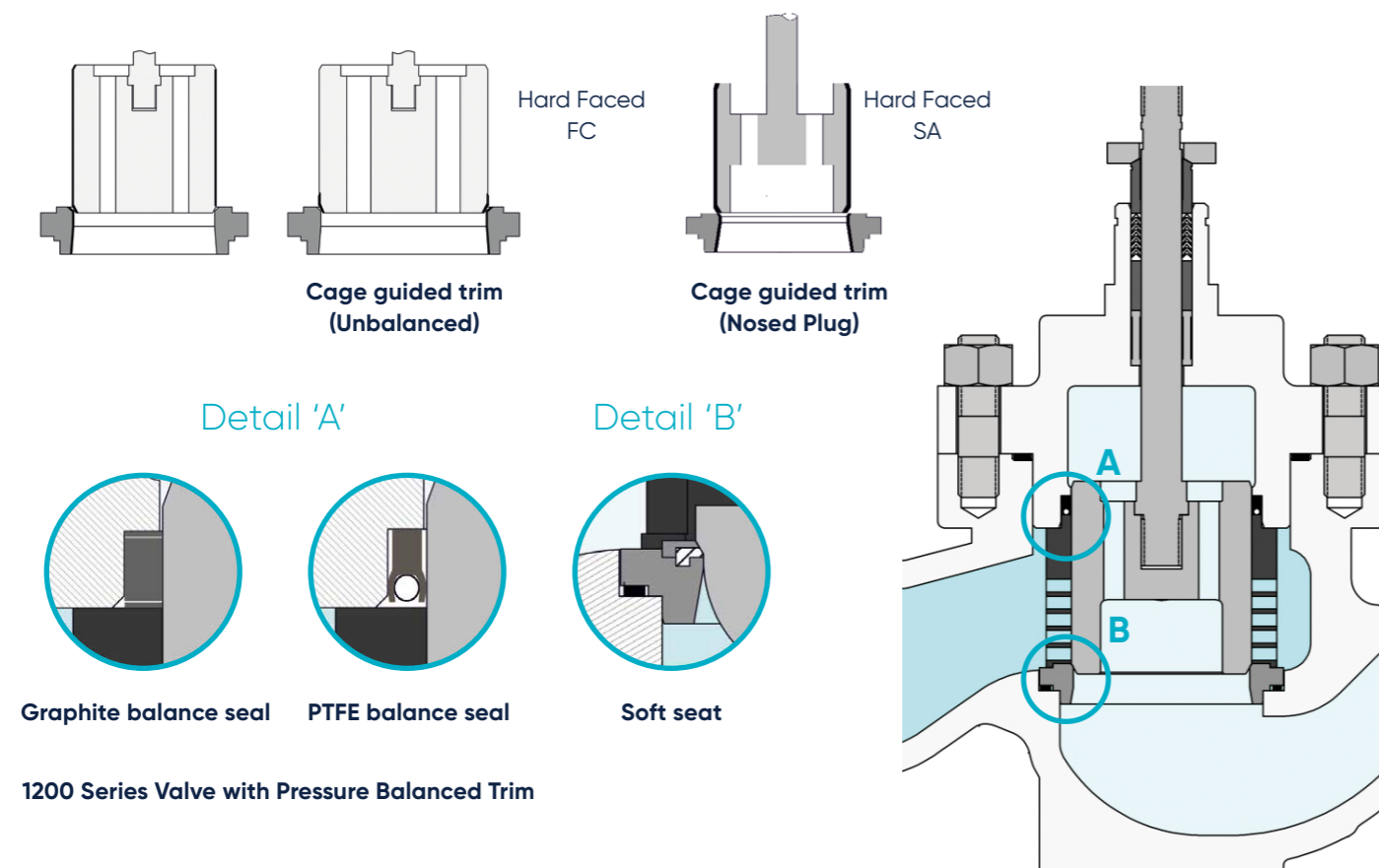


Table 2 – Stuffing box parts and materials

| Item No | Component       | Material            |
|---------|-----------------|---------------------|
| 1       | Gland flange    | 316SS               |
| 2       | Gland follower  | 316SS Hard faced    |
| 3       | Packing rings   | Virgin PTFE         |
|         |                 | Graphite            |
|         |                 | Carbon filled PTFE  |
|         |                 | Glass filled PEEK   |
|         | PTFE            |                     |
| 4       | Packing washer* | 316SS & Virgin PTFE |
| 5       | Packing Spacer  | 316SS               |
| 6**     | Gland Nut       | 316SS               |
| 7**     | Gland Stud      | 316SS               |

\* Note (1): Packing box ring shall be used for higher temperatures.  
Note (2): Stuffing Box material is available based on trim material.

\*\* Item No 5, 6 and 7 not shown in this image.  
Please refer to 1200 Series brochure.

# Flow Coefficients Cv

**Table 3 – Microspline (Available in 1 and 1 1/2 inch size only)**

Flow Over

| Seat Bore (Travel) |      |      |      |      |      |              |      |
|--------------------|------|------|------|------|------|--------------|------|
| 0.250(0.75)        |      |      |      |      |      | 0.625 (0.75) |      |
| 0.01               | 0.05 | 0.10 | 0.15 | 0.25 | 0.50 | 0.95         | 1.45 |

**Table 4 – Contoured**

| Valve Size (Inch) | Seat Bore (Inch) | Travel (Inch) | Flow Under |       |
|-------------------|------------------|---------------|------------|-------|
|                   |                  |               | Linear     | EP    |
| 1                 | 0.25             | 0.75          | 1.60       | 1.40  |
|                   | 0.375            | 0.75          | 3.50       | 3.50  |
|                   | 0.5              | 0.75          | 6.00       | 6.00  |
|                   | 0.625            | 0.75          | 9.50       | 9.00  |
|                   | 0.75             | 0.75          | 11.50      | 10.50 |
|                   | 0.875            | 0.75          | 15         | 14    |
|                   | 1                | 0.75          | 18         | 15    |
| 1.5               | 0.25             | 0.75          | 1.60       | 1.60  |
|                   | 0.375            | 0.75          | 3.50       | 3.50  |
|                   | 0.5              | 0.75          | 6.00       | 6.00  |
|                   | 0.625            | 0.75          | 9.50       | 9.00  |
|                   | 0.75             | 0.75          | 13         | 12    |
|                   | 0.875            | 0.75          | 16         | 16    |
|                   | 1                | 0.75          | 20         | 19    |
|                   | 1.125            | 0.75          | 24         | 23    |
|                   | 1.25             | 0.75          | 27         | 26    |
|                   | 1.375            | 0.75          | 30         | 27    |
| 2                 | 0.25             | 0.75          | 1.60       | 1.60  |
|                   | 0.375            | 0.75          | 3.70       | 3.70  |
|                   | 0.5              | 0.75          | 6.20       | 6.20  |
|                   | 0.625            | 0.75          | 9.50       | 9.00  |
|                   | 0.75             | 0.75          | 13         | 13    |
|                   | 0.875            | 0.75          | 17         | 17    |
|                   | 1                | 0.75          | 22         | 21    |
|                   | 1.5              | 0.75          | 46         | 43    |
|                   | 2                | 0.75          | 59         | 51    |
|                   | 3                | 1.5           | 0.75       | 49    |
| 2                 |                  | 0.75          | 80         | 54    |
| 2.625             |                  | 1.5           | 105        | 95    |
| 3                 |                  | 1.5           | 127        | 103   |
| 4                 | 2.625            | 1.5           | 135        | 127   |
|                   | 3                | 1.5           | 159        | 135   |

 Soft seat option available

**Table 5 – Cage guided - 1CC Cage**

| Valve Size (Inch) | Seat Bore* (Inch) | Travel (Inch) | Flow Over |      |           | Flow Under |      |           |     |
|-------------------|-------------------|---------------|-----------|------|-----------|------------|------|-----------|-----|
|                   |                   |               | Linear    | EP   | Bi-Linear | Linear     | EP   | Bi-Linear |     |
| 1                 | 0.625             | 0.75          | 2         | 2    | -         | 2          | 2    | -         |     |
|                   |                   |               | 4         | 4    | -         | 4          | 4    | -         |     |
|                   |                   |               | 6         | 6    | 7         | 7          | 7    | 8         |     |
|                   | 1                 | 0.75          | 9         | 8    | -         | 9          | 8    | -         |     |
|                   |                   |               | 12        | 10   | -         | 13         | 10   | -         |     |
| 1.5               | 0.625             | 0.75          | 16        | 12   | 14        | 16         | 12   | 15        |     |
|                   |                   |               | 2         | 2    | -         | 2          | 2    | -         |     |
|                   |                   |               | 4         | 4    | -         | 4          | 4    | -         |     |
|                   | 1                 | 0.75          | 6         | 6    | 8         | 7          | 7    | 8         |     |
|                   |                   |               | 9         | 8    | -         | 10         | 8    | -         |     |
|                   |                   |               | 14        | 10   | -         | 14         | 10   | -         |     |
|                   |                   |               | 18        | 12   | 15        | 20         | 13   | 16        |     |
|                   | 1.5               | 1.125         | 24        | 22   | -         | 25         | 23   | -         |     |
|                   |                   |               | 32        | 27   | 26        | 32         | 28   | 27        |     |
|                   | 2                 | 0.625         | 0.75      | 2    | 2         | -          | 2    | 2         | -   |
|                   |                   |               |           | 4    | 4         | -          | 4    | 4         | -   |
|                   |                   |               |           | 6    | 6         | 8          | 7    | 7         | 8   |
|                   |                   | 1             | 0.75      | 9    | 8         | -          | 10   | 8         | -   |
|                   |                   |               |           | 13   | 10        | -          | 14   | 11        | -   |
|                   |                   |               |           | 19   | 12        | 16         | 21   | 13        | 18  |
| 36                |                   |               |           | 37   | -         | 38         | 37   | -         |     |
| 2.25              |                   | 1.125         | 44        | 41   | -         | 47         | 43   | -         |     |
|                   |                   |               | 59        | 50   | 50        | 62         | 54   | 53        |     |
| 3                 |                   | 2.25          | 1.125     | 77   | 61        | 60         | 84   | 63        | 62  |
|                   |                   | 3.25          | 1.5       | 134  | 111       | 120        | 133  | 117       | 122 |
| 4                 |                   | 3.25          | 1.5       | 162  | 125       | 142        | 178  | 136       | 157 |
|                   | 4.375             | 2.25          | 224       | 198  | 201       | 217        | 196  | 203       |     |
| 6                 | 4.375             | 2.25          | 292       | 240  | 253       | 314        | 270  | 286       |     |
|                   | 6.75              | 2.25          | 432       | 367  | 376       | 418        | 378  | 381       |     |
| 8                 | 6.75              | 2.25          | 548       | 440  | 456       | 586        | 476  | 495       |     |
|                   | 8                 | 3.5           | 781       | 691  | 715       | 712        | 653  | 668       |     |
| 10                | 8                 | 3.5           | 802       | 704  | 727       | 849        | 745  | 777       |     |
| 12                | 8                 | 3.5           | 951       | 779  | 849       | 982        | 861  | 914       |     |
|                   | 11                | 4             | 1294      | 1241 | 1072      | 1356       | 1297 | 1166      |     |

EP - Equal Percentage

1CC - For Cavitating / Flashing service use flow over. Flow under is suitable for aerodynamic noise reduction.

Rated flow capacity for soft seated valves is 98% as that of metal seated valves.

\*For soft seated design the seat bore (S) size shall be 'S - 0.069 inches'.

## Flow Coefficients Cv (Continued)

Table 6 – Cage guided – Ported Cage (Flow Over)

| Valve Size (inch) | Seat Bore (Inch) | Travel (Inch) | Plug OD (Inch) | Stem Dia (Inch) | Linear | EP   |
|-------------------|------------------|---------------|----------------|-----------------|--------|------|
| 2                 | 2.25             | 1.5           | 2.325          | 0.75            | 79     | 71   |
| 3                 | 2.25             | 1.5           | 2.325          | 0.75            | 103    | 89   |
|                   | 3.25             | 1.5           | 3.325          | 0.75/1.06       | 148    | 121  |
| 4                 | 3.25             | 1.5           | 3.325          | 0.75/1.06       | 183    | 139  |
|                   | 4.375            | 2.5           | 4.450          | 1.06/1.5        | 257    | 214  |
| 6                 | 4.375            | 2.5           | 4.450          | 1.06/1.5        | 327    | 284  |
|                   | 6.75             | 2.5           | 6.825          | 1.06/1.5        | 465    | 405  |
| 8                 | 6.75             | 2.5           | 6.825          | 1.06/1.5        | 642    | 537  |
|                   | 8                | 3.5           | 8.075          | 1.5             | 835    | 749  |
| 10                | 8                | 3.5           | 8.075          | 1.5             | 941    | 834  |
| 12                | 8                | 3.5           | 8.075          | 1.5             | 1058   | 940  |
|                   | 11               | 4             | 11.075         | 1.5             | 1476   | 1327 |

Table 7 – Cage guided – ICC Cage

| Valve Size (inch) | Seat Bore (Inch) | Travel (Inch) | Plug OD (Inch) | Stem Dia (Inch) | Linear |      | EP   |      | Bi Linear |      |
|-------------------|------------------|---------------|----------------|-----------------|--------|------|------|------|-----------|------|
|                   |                  |               |                |                 | FO     | FU   | FO   | FU   | FO        | FU   |
| 2                 | 2.25             | 1.5           | 2.325          | 0.75            | 66     | 68   | 54   | 57   | 56        | 59   |
| 3                 | 2.25             | 1.5           | 2.325          | 0.75            | 88     | 99   | 63   | 67   | 72        | 80   |
|                   | 3.25             | 1.5           | 3.325          | 0.75/1.06       | 134    | 133  | 111  | 117  | 120       | 122  |
| 4                 | 3.25             | 1.5           | 3.325          | 0.75/1.06       | 162    | 178  | 125  | 136  | 142       | 157  |
|                   | 4.375            | 2.5           | 4.450          | 1.06/1.5        | 233    | 221  | 211  | 201  | 214       | 207  |
| 6                 | 4.375            | 2.5           | 4.450          | 1.06/1.5        | 305    | 321  | 260  | 291  | 274       | 300  |
|                   | 6.75             | 2.5           | 6.825          | 1.06/1.5        | 442    | 434  | 398  | 399  | 404       | 399  |
| 8                 | 6.75             | 2.5           | 6.825          | 1.06/1.5        | 562    | 588  | 482  | 524  | 500       | 540  |
|                   | 8                | 3.5           | 8.075          | 1.5             | 781    | 712  | 691  | 653  | 715       | 668  |
| 10                | 8                | 3.5           | 8.075          | 1.5             | 802    | 849  | 704  | 745  | 727       | 777  |
| 12                | 8                | 3.5           | 8.075          | 1.5             | 951    | 982  | 779  | 861  | 849       | 914  |
|                   | 11               | 4             | 11.075         | 1.5             | 1294   | 1356 | 1241 | 1297 | 1072      | 1166 |

FO – Flow Over FU – Flow Under EP – Equal Percent

Table 8 – Cage guided – 2CC Cage

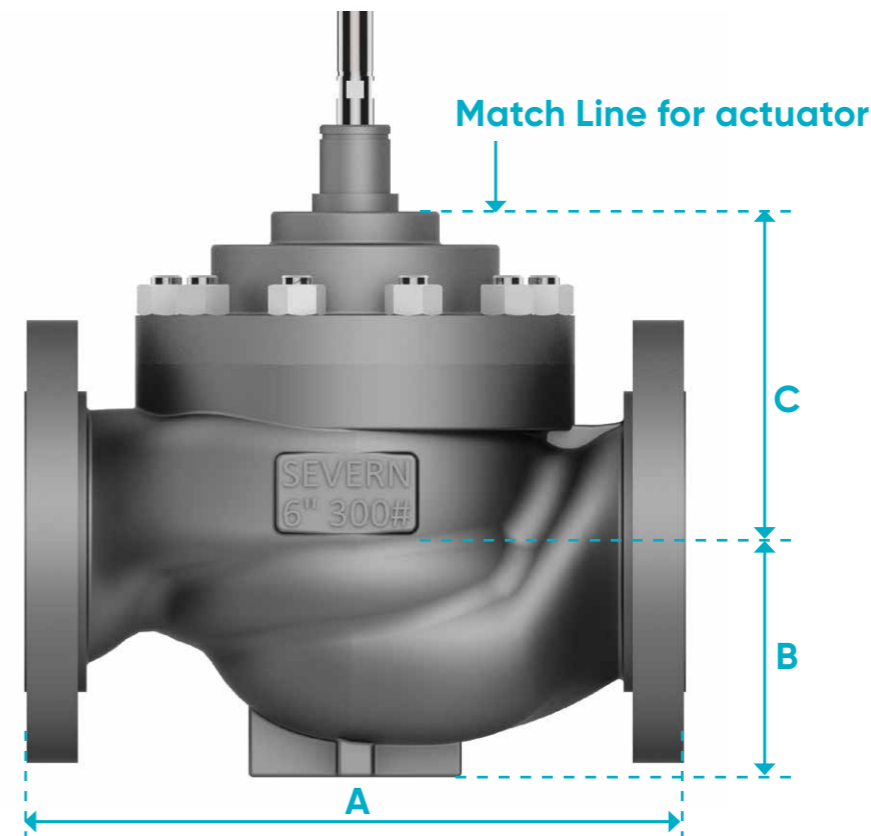
| Valve Size (inch) | Seat Bore (Inch) | Travel (Inch) | Plug OD (Inch) | Stem Dia (Inch) | Linear |     | Bi Linear |     |
|-------------------|------------------|---------------|----------------|-----------------|--------|-----|-----------|-----|
|                   |                  |               |                |                 | FO     | FU  | FO        | FU  |
| 2                 | 2.25             | 1.5           | 2.325          | 0.75            | 33     | 28  | 30        | 26  |
| 3                 | 2.25             | 1.5           | 2.325          | 0.75            | 43     | 34  | 36        | 32  |
|                   | 3.25             | 1.5           | 3.325          | 0.75/1.06       | 72     | 61  | 62        | 52  |
| 4                 | 3.25             | 1.5           | 3.325          | 0.75/1.06       | 75     | 64  | 69        | 54  |
|                   | 4.375            | 2.5           | 4.450          | 1.06/1.5        | 141    | 122 | 124       | 106 |
| 6                 | 4.375            | 2.5           | 4.450          | 1.06/1.5        | 170    | 153 | 145       | 125 |
|                   | 6.75             | 2.5           | 6.825          | 1.06/1.5        | 261    | 215 | 225       | 189 |
| 8                 | 6.75             | 2.5           | 6.825          | 1.06/1.5        | 286    | 242 | 243       | 204 |
|                   | 8                | 3.5           | 8.075          | 1.5             | 497    | 421 | 418       | 352 |
| 10                | 8                | 3.5           | 8.075          | 1.5             | 501    | 436 | 418       | 362 |
| 12                | 8                | 3.5           | 8.075          | 1.5             | 558    | 473 | 450       | 370 |
|                   | 11               | 4             | 11.075         | 1.5             | 812    | 721 | 650       | 605 |

## Dimensions and weights

Table 9 – Dimensions and weights

| Valve size | Seat Bore | Stem dia  | DIM A |      |      | DIM B |      |      | DIM C | Approx. weight (kg) |      |      |
|------------|-----------|-----------|-------|------|------|-------|------|------|-------|---------------------|------|------|
|            |           |           | 150#  | 300# | 600# | 150#  | 300# | 600# |       | Bal                 | 150# | 300# |
| 2          | 2.25      | 0.75      | 254   | 267  | 286  | 76    | 83   | 83   | 158   | 29                  | 30   | 37   |
| 3          | 2.25      | 0.75      | 298   | 318  | 337  | 95    | 105  | 105  | 143   | 37                  | 43   | 52   |
|            | 3.25      | 0.75/1.06 |       |      |      | 102   | 111  | 111  | 170   | 46                  | 53   | 62   |
| 4          | 3.25      | 0.75/1.06 | 352   | 368  | 394  | 121   | 133  | 143  | 170   | 61                  | 74   | 95   |
|            | 4.375     | 1.06      |       |      |      | 121   | 133  | 143  | 230   | 75                  | 88   | 117  |
| 6          | 4.375     | 1.06      | 451   | 473  | 508  | 149   | 171  | 187  | 216   | 101                 | 130  | 184  |
|            | 4.375     | 1.5       |       |      |      | 149   | 171  | 187  | 263   | 113                 | 142  | 195  |
|            | 6.75      | 1.06      |       |      |      | 149   | 168  | 187  | 250   | 145                 | 176  | 238  |
|            | 6.75      | 1.5       |       |      |      | 149   | 168  | 187  | 273   | 152                 | 183  | 241  |
| 8          | 6.75      | 1.06      | 543   | 568  | 610  | 181   | 200  | 216  | 281   | 195                 | 242  | 344  |
|            | 6.75      | 1.5       |       |      |      | 181   | 200  | 216  | 305   | 202                 | 281  | 351  |
| 10         | 8         | 1.5       | 673   | 708  | 752  | 197   | 203  | 222  | 342   | 230                 | 282  | 396  |
|            | 8         | 1.5       |       |      |      | 213   | 232  | 264  | 364   | 275                 | 366  | 548  |
| 12         | 8         | 1.5       | 737   | 775  | 819  | 254   | 270  | 279  | 330   | 407                 | 509  | 736  |
|            | 11        | 1.5       |       |      |      | 254   | 270  | 286  | 393   | 448                 | 590  | 899  |

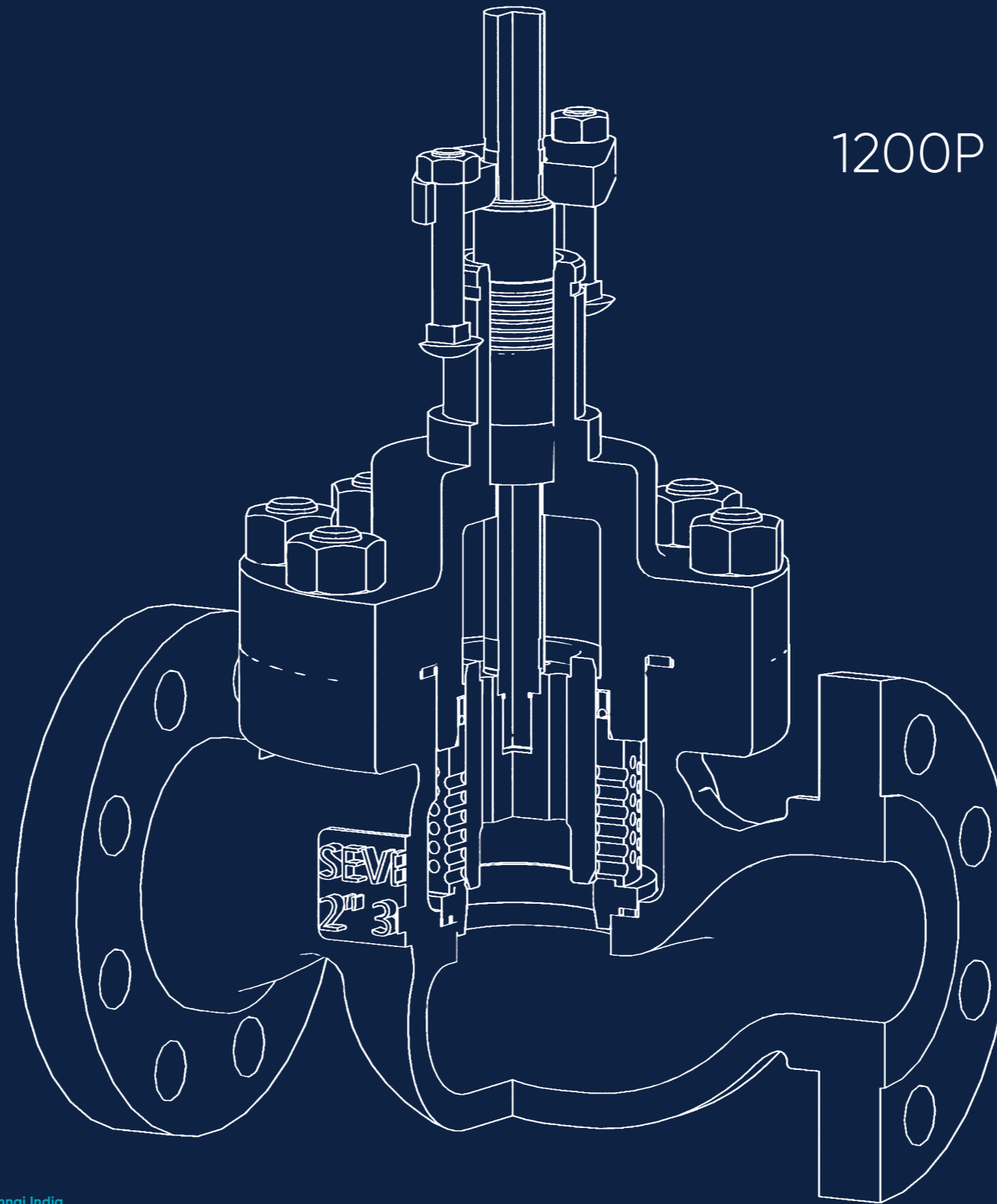
Note (1): Consider the unit as "mm" when the same is not indicated. Consider the unit as "mm" when the same is not indicated.  
 Note (2): Actual weight will be ± 5% of given weight in above table.





# 1200P Series Globe Valves

Pressure Class ASME 150-600



**Vinnova Exploration**  
sales@vinnova.asia  
063-271-9119  
www.vinnova.asia



Engineering  
Excellence

**Head Office – Brighouse UK**  
Heywoods Industrial Park,  
Birds Royd Lane,  
Brighouse, HD6 1NA.

T: +44 (0)845 6070 710  
E: sales@severnvalve.com

**Gloucester UK**  
Olympus Park,  
Quedgeley,  
Gloucester, GL2 4NF.

T: +44 (0)845 223 2040  
E: sales@severnvalve.com

**Chennai India**  
F96 & F97, SIPCOT Industrial Park,  
Irrungattukottai, Chennai,  
Tamilnadu, India - 602 117.

T: +91 44 4710 4200  
E: sales@severnvalve.com



Engineering  
Excellence