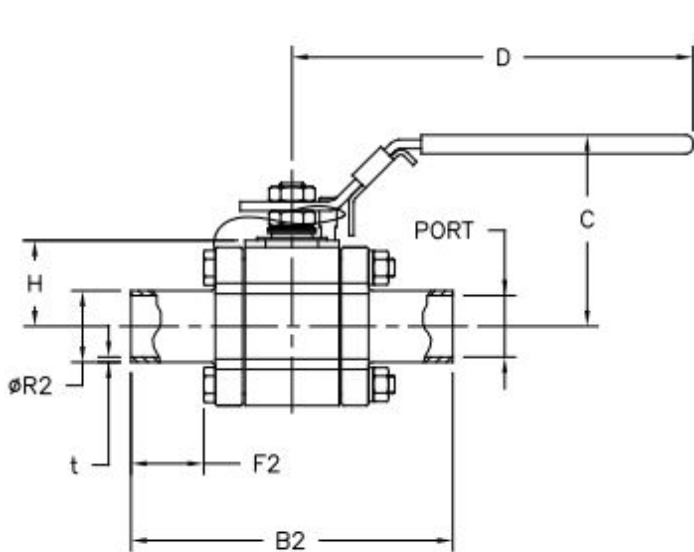


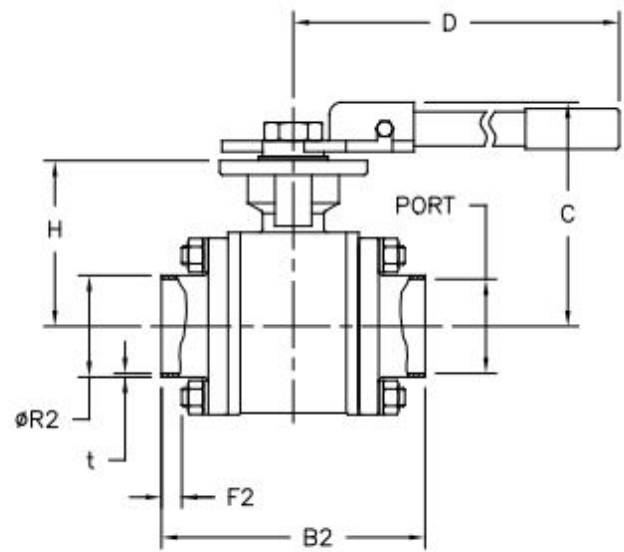
Mark 9020D DIN Series

Sanitary Ball Valves

DIMENSIONS



DN15 – DN40



DN50 – DN100

ART1048-DIN

Mark 9020D DIN Series valve ends match DIN 11866 Part A (DIN 11850 Series 2) tube. Through bore matches tube inside diameter. Valves conform to ASME BPE guidelines. For Pressure/Temperature ratings, and information regarding Actuator mounting dimensions and stem extensions, see page 9-11 of Bulletin Mark 9020 Series.

| Size | DN15 – DN40 MK 9020D (DIN) Dimensions, mm | | | | | | | | | | | Weight Kg | Torque N.m |
|------|---|-------|-----|-----|----|------|-------|-----|-------------------------|----------|------------------|-----------|------------|
| | Port | B2 | C | D | F2 | H | ØR2 | t | Hgth. C' with Ext. Stem | ISO 5211 | Stem Flats x Thd | | |
| DN15 | 16,0 | 126,0 | 70 | 133 | 36 | 30,8 | 19,00 | 1.5 | 131 | F03 | 6,5x3/8-24 | 0,9 | 4,4 |
| DN20 | 20,0 | 137,4 | 76 | 133 | 35 | 35,3 | 23,00 | 1.5 | 135 | F03 | 6,5x3/8-24 | 0,9 | 10,7 |
| DN25 | 26,0 | 149,7 | 85 | 172 | 35 | 39,0 | 29,00 | 1.5 | 139 | F04 | 8 x 7/16-20 | 1,4 | 16,7 |
| DN40 | 38,0 | 169,2 | 101 | 204 | 34 | 51,3 | 41,00 | 1.5 | 152 | F05 | 9,7 x M6-1,4 | 4,0 | 38 |

| Size | DN50 – DN100 MK 9020D (DIN) Dimensions, mm | | | | | | | | | | | Weight Kg | Torque N.m |
|-------|--|-------|-----|-----|----|-------|-------|-----|-------------------------|----------|------------------|-----------|------------|
| | Port | B2 | C | D | F2 | H | ØR2 | t | Hgth. C' with Ext. Stem | ISO 5211 | Stem Flats x Thd | | |
| DN50 | 50,0 | 180,6 | 127 | 202 | 33 | 84,3 | 53,00 | 1.5 | 184 | F05/F07 | 14 x 11/16-10 | 4,6 | 74 |
| DN65 | 66,0 | 229,2 | 150 | 366 | 29 | 112,6 | 70,00 | 2.0 | 213 | F07/F10 | 17 x 7/8-14 | 9,0 | 90 |
| DN80 | 81,0 | 237,2 | 158 | 365 | 31 | 121,0 | 85,00 | 2.0 | 221 | F07/F10 | 17 x 7/8-14 | 12,2 | 110 |
| DN100 | 100,0 | 265,9 | 201 | 401 | 25 | 159,7 | 104,0 | 2.0 | 294 | F10/F12 | 22 x 1-1/8-12 | 21,8 | 150 |



Steriflow by Jordan Valve

3170 Wesson Road • Cincinnati, OH 45209

513-533-5600 • 800-543-7311



Vinnova Exploration

sales@vinnova.asia

063-271-9119

www.vinnova.asia

ORDERING SCHEMATIC

| Model | Size | Body Mat'l | 1 | 2 | 3 | 4 | 5 | 6 | 7 | 8 | 9 | 10 | 11 | 12 | 13 | 14 | 15 | 16 |
|-------|------|------------|---|---|---|---|---|---|---|---|---|----|----|----|----|----|----|----|
| | | | | | | | | | | | | | | | | | | |

| Model Number | |
|--------------|--------------------------------|
| 9020D | 3-Pc Sanitary Ball Valve (DIN) |

| Size (DN 11866 Part A) | |
|------------------------|-------|
| 15 | DN15 |
| 20 | DN20 |
| 25 | DN25 |
| 32 | DN32 |
| 40 | DN40 |
| 50 | DN50 |
| 65 | DN65 |
| 80 | DN80 |
| 100 | DN100 |

| Body Material | |
|---------------|---|
| LF | CF3M 316L 1% Ferrite |
| LFCE | CF3M 316L 1% Ferrite + PED/CE (DN40 - DN100 Only) |

| Seat/Stem Extension | |
|---------------------|--|
| T | TFM1600 Enhanced Teflon (Std.) |
| C | TFM1600 Cavity Filler Enhanced Teflon ² |
| E | TFM1600 with Enclosed Stem Extension ¹ |
| S | TFM1600 Cavity Filler with Stem Extension ^{1,2} |

¹ Stem extension not available in DN100 size

² Consult factory

| Ends | |
|------|--|
| A | Tri-Clamp / SF1 Int. Fin. (Std.) ² |
| B | Extended Tube End / SF1 Int. Fin. (Std.) |
| C | Tri-Clamp x Extended Tube End / SF1 Int. Fin. ^{1,2} |
| D | Tri-Clamp / SF4 Int. Fin. ² |
| E | Extended Tube End / SF4 Int. Fin. |
| F | Tri-Clamp x Extended Tube End / SF4 Int. Fin. ^{1,2} |
| G | Extended Tube x Tri-Clamp / SF4 Int. Fin. ^{1,2} |
| H | Extended Tube x Tri-Camp / SF1 Int. Fin. ^{1,2} |

Note: SF1 finish is 20 Ra µin (0.5 Ra µm) Mechanical Polish, SF4 is 15Ra µin (0.4 Ra µm) mechanical/electropolish finish

¹ See page 5 of the MK9020 (BPE) bulletin for orientation of ends

² Consult Factory

| 3 & 4 Operation | | | |
|-----------------|---------------|----|---------------|
| HL | Lever (Std.) | | |
| NN | None | | |
| P1 | UT-0A-DA STD | | |
| P2 | UT-0-DA STD | S1 | UT-0-SR STD |
| P3 | UT-1-DA-STD | S2 | UT-1-SR STD |
| P4 | UT-2-DA STD | S3 | UT-2-SR STD |
| P5 | UT-2.5-DA STD | S4 | UT-2.5-SR STD |
| P6 | UT-3-DA-STD | S5 | UT-3-SR STD |
| P7 | UT-3.5-DA STD | S6 | UT-3.5-SR STD |
| P8 | UT-4-DA STD | S7 | UT-4-SR STD |
| PF | UT-4.5-DA STD | SF | UT-4.5-SR STD |
| P9 | UT-5-DA STD | S8 | UT-5-SR STD |
| ZZ | Non-Standard | | |

| 5 & 6 Actuator Pressure | |
|-------------------------|-----------------------------|
| 40 | 40 psi |
| 60 | 60 psi |
| 80 | 80 psi |
| NN | N/A (no pneumatic actuator) |
| ZZ | Non-Standard |

| 7 & 8 Solenoid Feature | | |
|------------------------|---------------------------------|-----------|
| | | Act. Type |
| 00 | None | |
| 3A | 3W 8551-120VAC N4 UT-0/5 | SR |
| 3C | 3W EF8551-120VAC N7 UT-0/5 | SR |
| 3J | 3W 8317G35-120VAC N4 UT-0/2.5 | SR |
| 3M | 3W 8321G1-120VAC N4 UT-3/5 | SR |
| 3Q | 3W EF8317G35-120VAC N7 UT-0/2.5 | SR |
| 3R | 3W EF8321G1-120VAC N7 UT-3/5 | SR |
| 4A | 4W 8551-120VAC N4 UT-0A | DA |
| 4B | 4W 8551-120VAC N4 UT-0/5 | DA |
| 4D | 4W EF8551-120VAC N7 UT-0A | DA |
| 4E | 4W EF8551-120VAC N7 UT0/5 | DA |
| ZZ | Non-Standard | |

| Model | Size | Body Mat'l | 1 | 2 | 3 | 4 | 5 | 6 | 7 | 8 | 9 | 10 | 11 | 12 | 13 | 14 | 15 | 16 |
|-------|------|------------|---|---|---|---|---|---|---|---|---|----|----|----|----|----|----|----|
| | | | | | | | | | | | | | | | | | | |

| 9 & 10 | Limit Switch |
|--------|-----------------------------|
| 00 | None |
| AA | LS FMYB-5120-N4 to UT-0/3 |
| AB | LS FMYB-5120-N4 to UT-3.5/7 |
| AC | LS AMYB-5120-N7 to UT-0/3 |
| AD | LS AMYB-5120-N7 to UT-3.5/7 |
| AE | LS-AMYB-5120-N4 to Valve |
| AF | LS AMYB-5120-N7 to Valve |
| OZ | Non-Standard |

| 11 & 12 | Fail Position |
|---------|--------------------------------------|
| NN | Fail Position N/A (No "SR" Actuator) |
| 01 | Fail Closed |
| 02 | Fail Open |

| 13 & 14 | Positioner |
|---------|--|
| 00 | None |
| AA | Siemens 760P (3-15 psi), for UT-0/3 |
| AB | Siemens 760P (3-15 psi), for UT-3.5/7 |
| AC | Siemens 760E (4-20 mA), for UT-0/3 |
| AD | Siemens 760E (4-20 mA), for UT-3.5/7 |
| AE | Siemens 2-IQ (4-20 mA) for UT-0/3DA |
| AF | Siemens 2-IQ (4-20 mA) for UT-3.5/7DA |
| AQ | Siemens 2-IQ (4-20 mA), for UT-0/3SR |
| AR | Siemens 2-IQ (4-20 mA), for UT-3.5/7SR |
| ZZ | Non-Standard |

| 15 | Misc. Features |
|----|----------------------------------|
| 0 | None |
| 1 | 2-Bug Screen 1/8" SST |
| 2 | 2-Speed Control 1/8" (4-Way) |
| 3 | SST Tube & Fittings F/Automation |
| 4 | AFR 4Z030A to UT-0-2.5 SST |
| Z | Non-Standard |

| 16 | SEP Option |
|----|---------------------------------|
| 0 | None |
| G | SEP w/SF1 Finish DN15-DN25 Only |
| H | SEP w/SF4 Finish DN15-DN25 Only |



Steriflow Valve reserves the right to make revisions to its product, specifications, literature and related information without notice. Please visit our website at www.steriflowvalve.com for the latest information on our products.

Steriflow, a division of Jordan Valve
 3170 Wasson Road • Cincinnati, OH 45209
 513.533.5600 • 800.543.7311 • 513.871.0105 (f)
steriflow@richardsind.com • www.steriflowvalve.com



Vinnova Exploration
sales@vinnova.asia
 063-271-9119
www.vinnova.asia