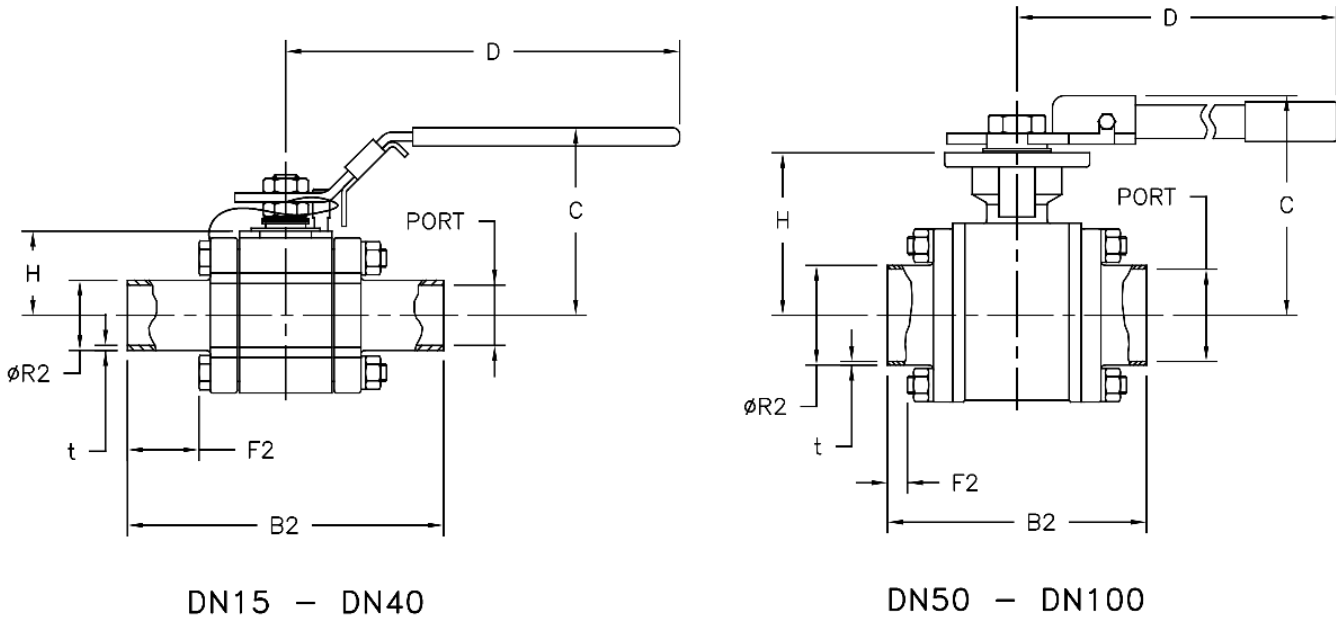


Mark 9020S ISO Series

Sanitary Ball Valves

DIMENSIONS



ART1049-ISO

Mark 9020S ISO Series valve ends match DIN 11866 Part B (ISO 1127) tube. Through bore matches tube inside diameter. Valves conform to ASME BPE guidelines. For Pressure/Temperature ratings, and information regarding Actuator mounting dimensions and stem extensions, see page 9-11 of Bulletin Mark 9020 Series.

Size	DN15 – DN40 MK 9020S (ISO) Dimensions, mm											Weight Kg	Torque N.m
	Port	B2	C	D	F2	H	ØR2	t	Hgth. C' with Ext. Stem	ISO 5211	Stem Flats x Thd		
DN15	18,1	126,0	70	133	36	30,8	21,3	1.6	131	F03	6,5x3/8-24	0,9	4,4
DN20	23,7	137,4	76	133	35	35,3	26,9	1.6	135	F03	6,5x3/8-24	0,9	10,7
DN25	29,7	149,7	85	172	35	39,0	33,7	2.0	139	F04	8 x 7/16-20	1,4	16,7
DN40	44,3	169,2	101	204	34	51,3	48,3	2.0	152	F05	9,7 x M6-1,4	4,0	38

Size	DN50 – DN100 MK 9020S (USO) Dimensions, mm											Weight Kg	Torque N.m
	Port	B2	C	D	F2	H	ØR2	t	Hgth. C' with Ext. Stem	ISO 5211	Stem Flats x Thd		
DN50	56,3	180,6	127	202	33	84,3	60,3	2.0	184	F05/F07	14 x 11/16-10	4,6	74
DN65	72,1	229,2	150	366	29	112,6	76,1	2.0	213	F07/F10	17 x 7/8-14	9,0	90
DN80	84,3	237,2	158	365	31	121,0	88,9	2.3	221	F07/F10	17 x 7/8-14	12,2	110
DN100	109,7	265,9	201	401	25	159,7	114,3	2.3	294	F10/F12	22 x 1-1/8-12	21,8	150



Steriflow by Jordan Valve

3170 Wesson Road • Cincinnati, OH 45209

513-533-5600 • 800-543-7311

www.steriflow.com



Vinnova Exploration

sales@vinnova.asia

063-271-9119

www.vinnova.asia

ORDERING SCHEMATIC

Model	Size	Body Mat'l	1	2	3	4	5	6	7	8	9	10	11	12	13	14	15	16

Model Number	
9020S	DN20, DN25, DN40, DN65, DN80 3-Pc Sanitary Ball Valve (ISO)
9020S1	DN15, DN50, DN100 3-Pc Sanitary Ball Valve (ISO)

Size (DN 11866 Part B)	
15	DN15
20	DN20
25	DN25
40	DN40
50	DN50
65	DN65
80	DN80
100	DN100

Body Material	
LF	CF3M 316L 1% Ferrite
LFCE	Cf3M 316L 1% Ferrite + PED/CE (DN40 - DN100 Only)

Seat/Stem Extension	
T	TFM1600 Enhanced Teflon (Std.)
C	TFM1600 Cavity Filler Enhanced Teflon ²
E	TFM1600 with Enclosed Stem Extension ¹
S	TFM1600 Cavity Filler with Stem Extension ^{1,2}

¹ Stem extension not available in DN100 size

² Consult factory

Ends	
A	Tri-Clamp / SF1 Int. Fin. (Std.) ²
B	Extended Tube End / SF1 Int. Fin. (Std.)
C	Tri-Clamp x Extended Tube End / SF1 Int. Fin. ^{1,2}
D	Tri-Clamp / SF4 Int. Fin. ²
E	Extended Tube End / SF4 Int. Fin.
F	Tri-Clamp x Extended Tube End / SF4 Int. Fin. ^{1,2}
G	Extended Tube x Tri-Clamp / SF4 Int. Fin. ^{1,2}
H	Extended Tube x Tri-Camp / SF1 Int. Fin. ^{1,2}

Note: SF1 finish is 20 Ra µin (0.5 Ra µm) Mechanical Polish, SF4 is 15Ra µin (0.4 Ra µm) mechanical/electropolish finish

¹ See page 5 of the MK9020 (BPE) bulletin for orientation of ends

² Consult Factory

3 & 4 Operation			
HL	Lever (Std.)		
NN	None		
P1	UT-0A-DA STD		
P2	UT-0-DA STD	S1	UT-0-SR STD
P3	UT-1-DA-STD	S2	UT-1-SR STD
P4	UT-2-DA STD	S3	UT-2-SR STD
P5	UT-2.5-DA STD	S4	UT-2.5-SR STD
P6	UT-3-DA-STD	S5	UT-3-SR STD
P7	UT-3.5-DA STD	S6	UT-3.5-SR STD
P8	UT-4-DA STD	S7	UT-4-SR STD
PF	UT-4.5-DA STD	SF	UT-4.5-SR STD
P9	UT-5-DA STD	S8	UT-5-SR STD
ZZ	Non-Standard		

5 & 6 Actuator Pressure	
40	40 psi
60	60 psi
80	80 psi
NN	N/A (no pneumatic actuator)
ZZ	Non-Standard

7 & 8 Solenoid Feature			Act. Type
00	None		
3A	3W 8551-120VAC N4	UT-0/5	SR
3C	3W EF8551-120VAC N7	UT-0/5	SR
3J	3W 8317G35-120VAC N4	UT-0/2.5	SR
3M	3W 8321G1-120VAC N4	UT-3/5	SR
3Q	3W EF8317G35-120VAC N7	UT-0/2.5	SR
3R	3W EF8321G1-120VAC N7	UT-3/5	SR
4A	4W 8551-120VAC N4	UT-0A	DA
4B	4W 8551-120VAC N4	UT-0/5	DA
4D	4W EF8551-120VAC N7	UT-0A	DA
4E	4W EF8551-120VAC N7	UT0/5	DA
ZZ	Non-Standard		

Model	Size	Body Mat'l	1	2	3	4	5	6	7	8	9	10	11	12	13	14	15	16

9 & 10	Limit Switch
00	None
AA	LS FMYB-5120-N4 to UT-0/3
AB	LS FMYB-5120-N4 to UT-3.5/7
AC	LS AMYB-5120-N7 to UT-0/3
AD	LS AMYB-5120-N7 to UT-3.5/7
AE	LS-AMYB-5120-N4 to Valve
AF	LS AMYB-5120-N7 to Valve
OZ	Non-Standard

11 & 12	Fail Position
NN	Fail Position N/A (No "SR" Actuator)
01	Fail Closed
02	Fail Open

13 & 14	Positioner
00	None
AA	Siemens 760P (3-15 psi), for UT-0/3
AB	Siemens 760P (3-15 psi), for UT-3.5/7
AC	Siemens 760E (4-20 mA), for UT-0/3
AD	Siemens 760E (4-20 mA), for UT-3.5/7
AE	Siemens 2-IQ (4-20 mA) for UT-0/3DA
AF	Siemens 2-IQ (4-20 mA) for UT-3.5/7DA
AQ	Siemens 2-IQ (4-20 mA), for UT-0/3SR
AR	Siemens 2-IQ (4-20 mA), for UT-3.5/7SR
ZZ	Non-Standard

15	Misc. Features
0	None
1	2-Bug Screen 1/8" SST
2	2-Speed Control 1/8" (4-Way)
3	SST Tube & Fittings F/Automation
4	AFR 4Z030A to UT-0-2.5 SST
Z	Non-Standard

16	SEP Option
0	None
G	SEP w/SF1 Finish DN15-DN25 Only
H	SEP w/SF4 Finish DN15-DN25 Only



Steriflow Valve reserves the right to make revisions to its product, specifications, literature and related information without notice. Please visit our website at www.steriflowvalve.com for the latest information on our products

Steriflow, a division of Jordan Valve
 3170 Wasson Road • Cincinnati, OH 45209
 513.533.5600 • 800.543.7311 • 513.871.0105 (f)
steriflow@richardsind.com • www.steriflowvalve.com



Vinnova Exploration
sales@vinnova.asia
 063-271-9119
www.vinnova.asia