

Mark 75HW Series

CRN Registration Number Available

Wafer Style Hand Operated Valves

The Mark 75HW is a manually operated, sliding gate control valve. The wafer style body provides great value for the end user while offering all of the benefits of the sliding gate seat. The hand wheel operator allows the user to manually position the valve for optimum flow and lock in place. The valve is available in 1", 1-1/2" and 2" sizes.

SIZE AND PRICE ADVANTAGE

The Mark 75HW offers an incredible pricing advantage in the market place due to its wafer style body. A 2" Mark 75HW valve is only 1.76" (44,7 mm) face-to-face in comparison to a 2" Class 150 globe style control valve with a face-to-face of 10" (254mm).

What does this mean to you? You pay for less metal to make the valve. In the case above, 8.24" (209,3 mm) of metal! The actual material is only part of the savings. You pay less for machining time; even shipping costs are reduced due to the lighter weight.

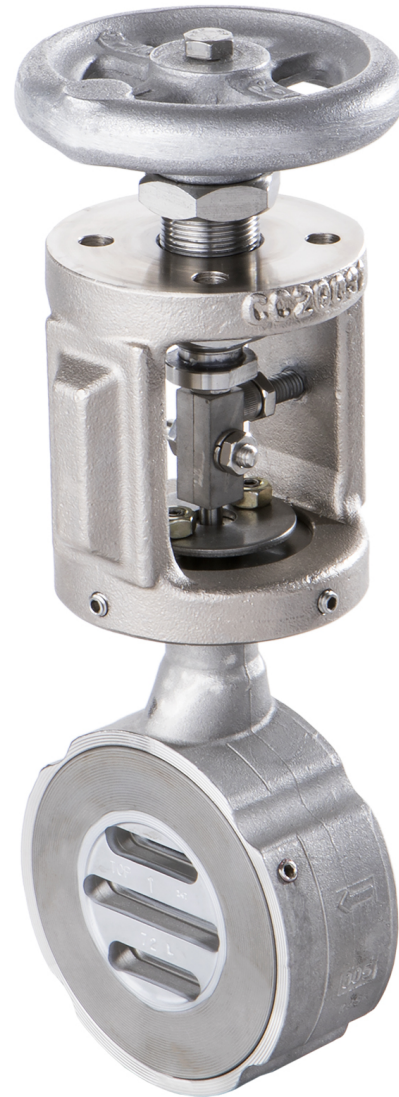
CAPACITY

The Mark 75HW provides great capacity in a compact wafer style body with Cvs as high as 72 (Kv 62).

EASE OF MAINTENANCE

The Mark 75HW features a 'T' slot design connection to the disc. This connection allows for quick and easy reversing of functions. Instead of having to go into the actuator to change action, all that is needed in a Mark 75HW is to turn the seats 180°. With this simple rotation, the valve can go from reverse acting to direct acting (or vice versa).

The stroke length of the Mark 75HW is a slightly longer stroke than standard sliding gate valves. This longer stroke enables better turndown. Combined with the capacity of the Mark 75HW, the increased turndown makes for a great control valve.



Hand Operated Valves

Mark 75 Pneumatic Control Valves



Jordan Valve a division of Richards Industries
3170 Wasson Road • Cincinnati, OH 45209
513.533.5600 • 800.543.7311 • 513.871.0105 (f)
info@richardsind.com • www.jordanvalve.com



Vinnova Exploration
sales@vinnova.asia
063-271-9119
www.vinnova.asia

SPECIFICATIONS

Sizes: 1" (DN25) through 2" (DN50) ANSI 150#/300# (PN25/40) Class Wafer Style Valves (bolt-around)

Body

- 316 Stainless Steel (ASME SA-479)
- Carbon Steel (SA-105)

Trim Material

- 316 Stainless Steel

Seats Materials

- Jorcote/316SS – standard
- Jorcote with 303SS - optional

Yoke Materials

- Ductile Iron (1" - 2")
- NAMUR Cast Iron

Packing Material

- Spring loaded Teflon V-Ring to 500°F (260°C)

Shutoff

- ANSI Class IV

Action

- Direct (CW Closes)
- Reverse (CW Opens)

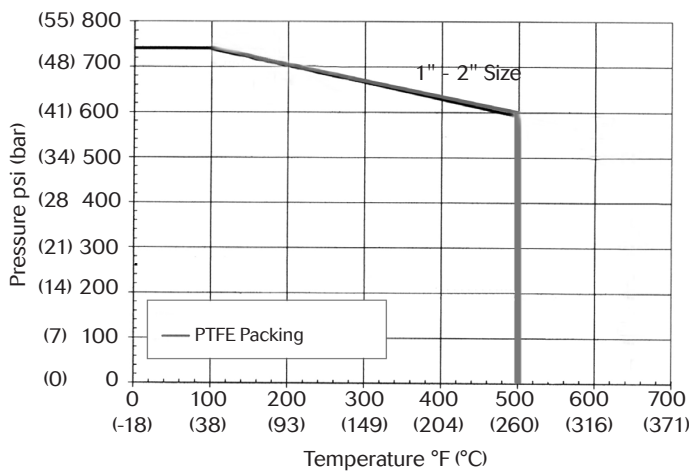
Body Rating (1" – 2")

- Stainless Steel 720 psi @ 100°F (49,6 bar @ 37,8°C); 480 psi @ 500°F with Teflon packing (33,1 bar @ 260°C)
- Carbon Steel 740 psi @ 100°F (51,0 bar at 38°C); 600 psi @ 500°F with Teflon packing (41,4 bar @ 260°C)

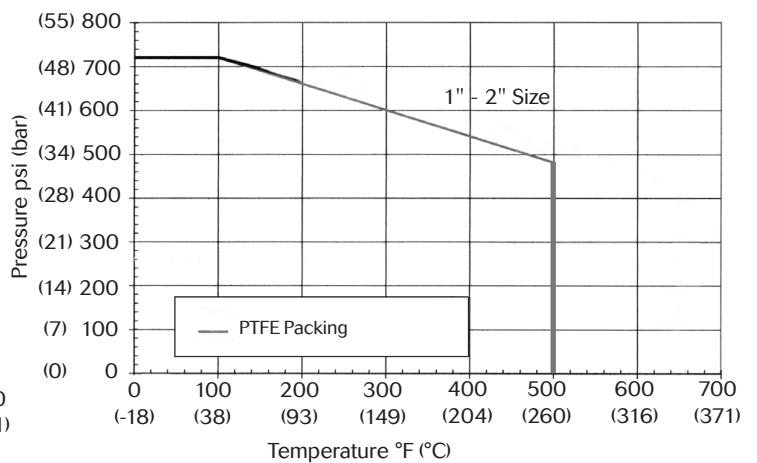
Turndown Ratio Capability: 100:1

PRESSURE/TEMPERATURE CHART

Carbon Steel



Stainless Steel



Cv/Kv vs TRAVEL – LINEAR

Cv (Kv)	Flow Characteristics	10%	20%	30%	40%	50%	60%	70%	80%	90%	100%
9.5 (8,2)	Linear	0.95	1.90	2.85	3.8	4.75	5.70	6.65	7.60	8.55	9.5
33 (28)	Linear	3.3	6.6	9.9	13.2	16.5	19.8	23.1	26.4	29.7	33
38 (33)	Linear	3.8	7.6	11.4	15.2	19.0	22.8	26.6	30.4	34.2	38
72 (62)	Linear	7.2	14.4	21.6	28.8	36.0	43.2	50.4	57.6	64.8	72

Cv vs Travel curves represent projected performance based on file data. Actual results may vary from system to system.

Cv (Kv) VALUES

Size	DN	Linear Cv	Linear Kv
1"	DN25	9.5	8,2
1-1/2"	DN40	33	28
2"	DN50	38	33
		72	62

SLIDING GATE FEATURES & BENEFITS

Jordan Valve's Sliding Gate Seats

Installed in the widest range of gas, chemical and steam applications the world over, our pressure regulators, temperature regulators and control valves have been providing the following benefits for over fifty years.

Shorter stroke length than globe or cage designs

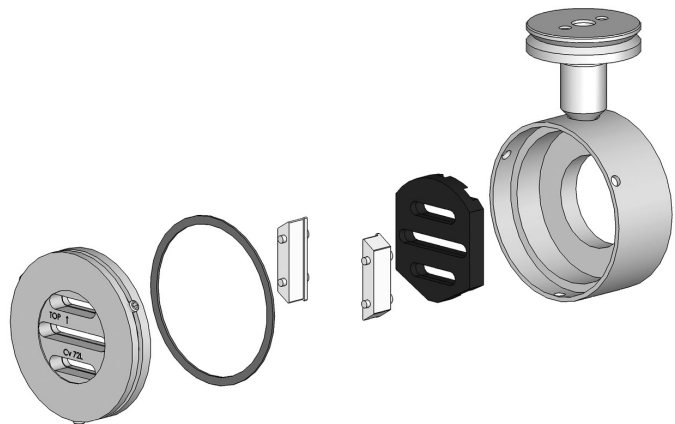
- Significantly extends packing life
- Allows for more compact valve/actuator assembly

Straight-through flow

- Significantly reduces turbulence, thereby reducing noise and erosion
- Markedly increases rangeability associated with "flow to open" and "flow to close" designs
- Eliminate valve "chatter" commonly observed when valve is partially open

Ease of maintenance

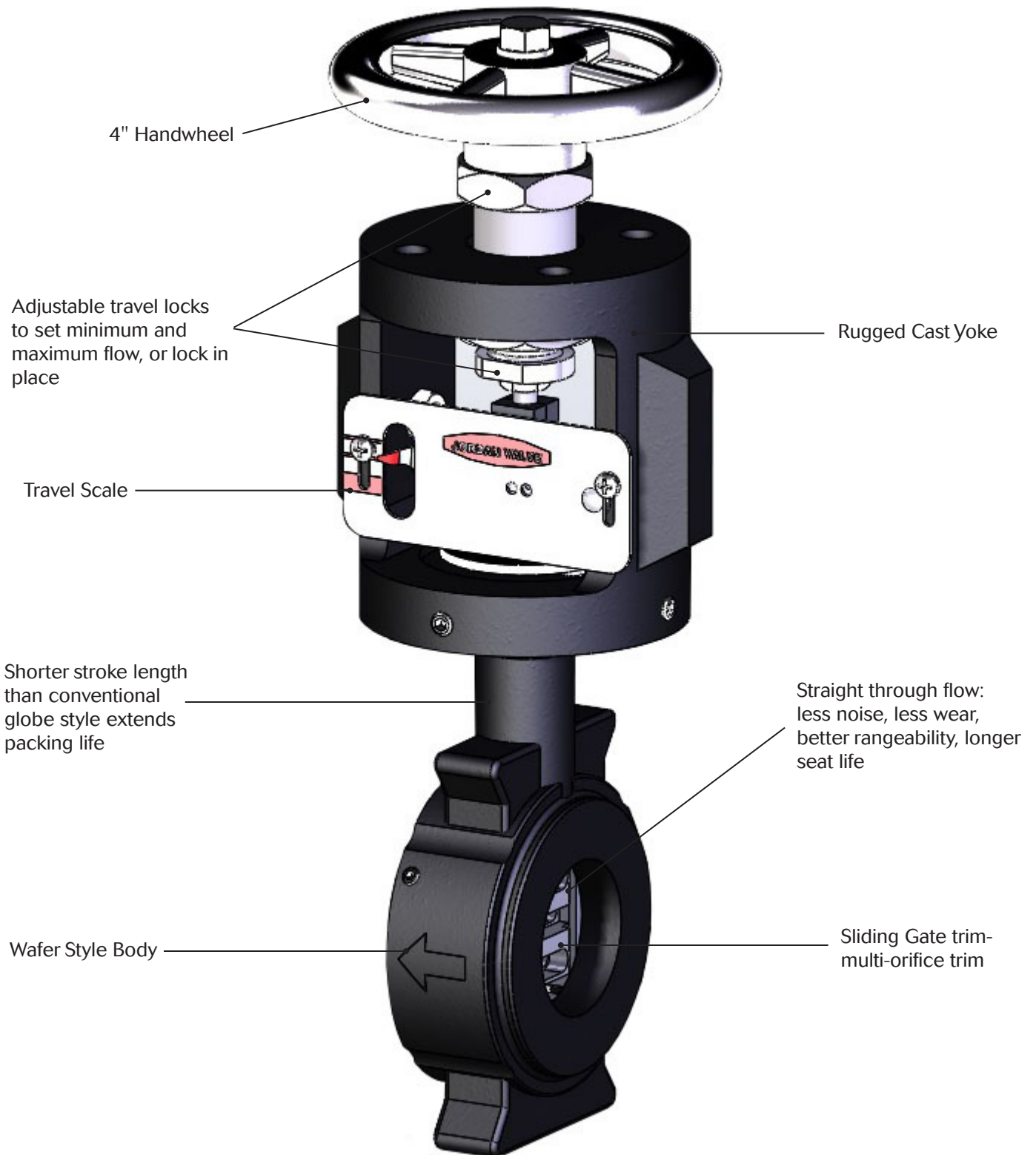
- During seat/Cv change (seats are not screwed or pressed in body)
- Attributable to lightweight, compact design
- Fewer trim components



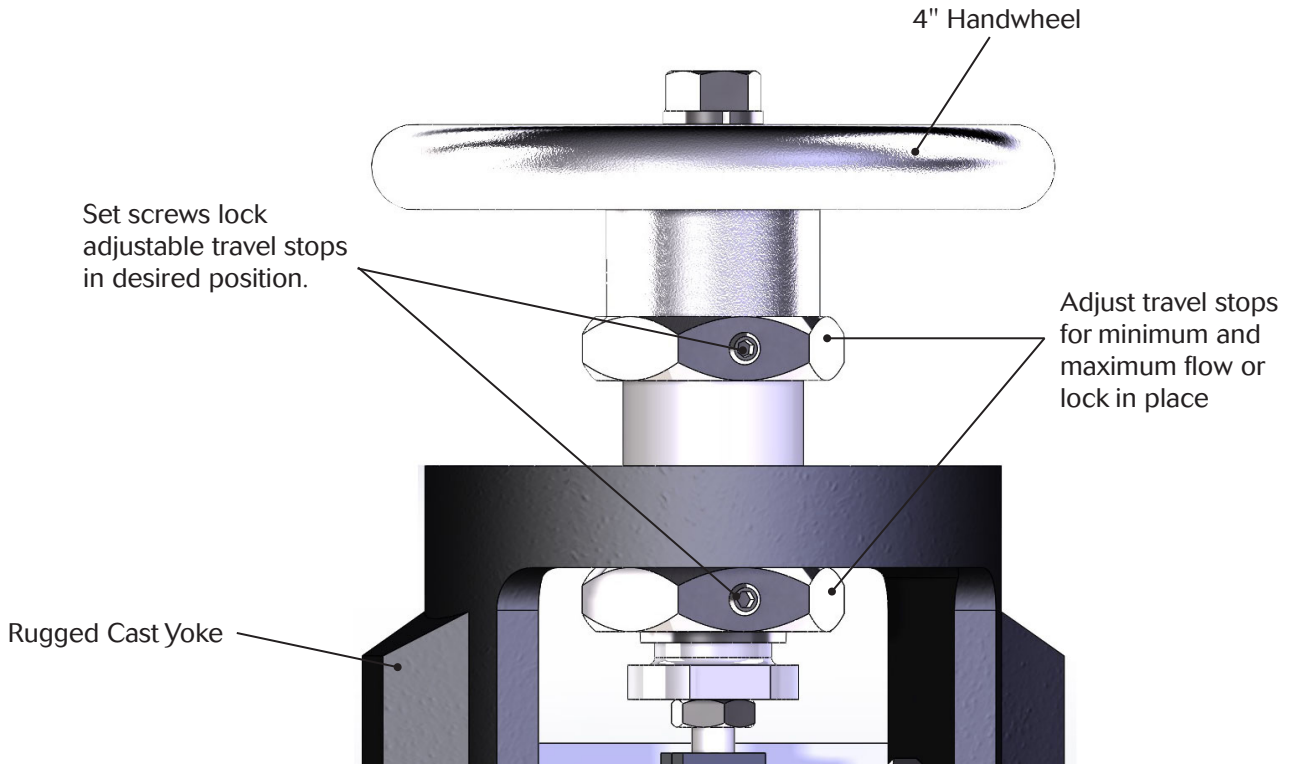
Features

- Easy installation between flanges with wafer body
- High flow rates
- Self cleaning, self lapping seats
- Reduced noise compared to conventional globe/cage valves
- More resistant to cavitation / flashing with straight through, wafer design

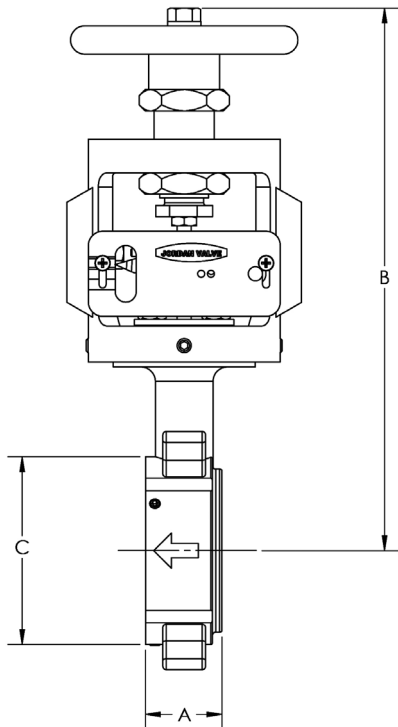
1" THRU 2" MARK 75HW SERIES WITH CAST BODY



ADJUSTABLE TRAVEL LOCKS



MARK 75HW DIMENSIONS



Wafer Style			
Valve Size	A	B	C
1"	1.24	10.26	2.76
1-1/2"	1.36	10.82	3.24
2"	1.76	11.52	3.98

MARK 75HW SERIES WAFER STYLE HAND OPERATED VALVES

ORDERING SCHEMATIC MARK 75HW

Model No.	Size	Body Mat'l	1 & 2	3 & 4	5 & 6	7 & 8	9 & 10	11 & 12	13 & 14	15 & 16	17 & 18

Model
75HW

Size
100
150
200

Body Material
CB
SB
CS
S6

1 & 2	End Connections
I3	150# / 300#

11 & 12	Actuator
H1	Handwheel 4"

3 & 4	Trim
T6	316SS / Tef. Pkg.
ZZ	Non-Standard

13 & 14	Accessory
00	None

5 & 6	Range
00	None

15 & 16	Action
OD	CW- Closes
OR	CW- Opens

7 & 8	Diaphragm
00	None

9 & 10	Seats	
	Material	Cv
W	316SS/ Jorcote	8 9.5
		A 33
		B 38
		E 72
ZZ	Non- Standard	

17 & 18	PED Compliance
00	Not Required
FF	CE Category 1
ZZ	Non- Standard



Jordan Valve a division of Richards Industries

3170 Wasson Road • Cincinnati, OH 45209

513.533.5600

info@richardsind.



Vinnova Exploration

sales@vinnova.asia

063-271-9119

www.vinnova.asia