

The HN39 Series instrument valves are compact and economical high pressure instrument block valves.

Stem tip is non-rotating tip (NRT) style, standard.

Product Availability

All valves have integral hard seats, 316 stainless steel body and trim and Teflon/Grafoil packing. Valves are furnished with panel mount nut.

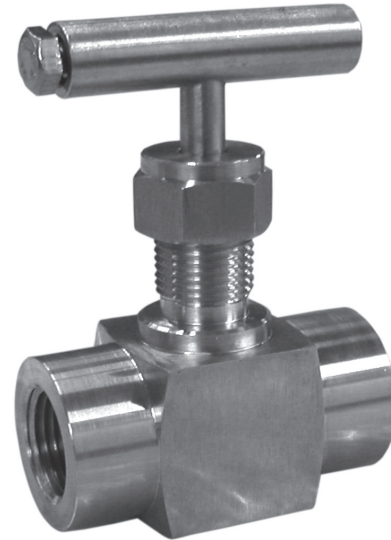
Hastelloy C, Monel models available upon request.

Ratings

Stainless Steel to 6980 psig @ 100°F (481 bar @ 38°C).
450°F (232,2°C) limit for Teflon packed valves. 1000°F (537,8°C) limit for Grafoil packed valves.

Features and Benefits

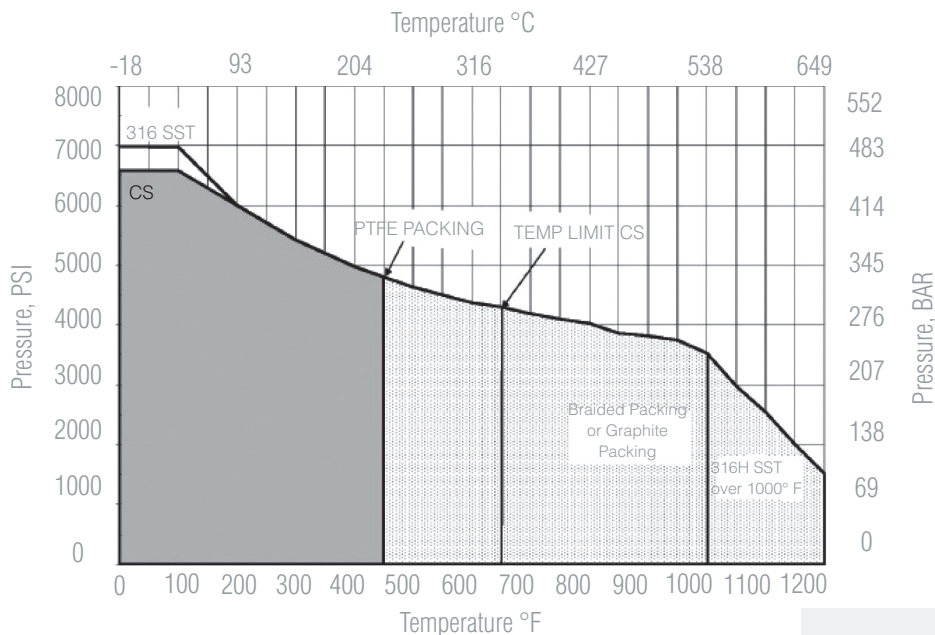
- Non-Rotating Tip Provides tight repeatable shutoff without galling or cross scoring that occurs on ball type stems.
- Integral Body and Bonnet design



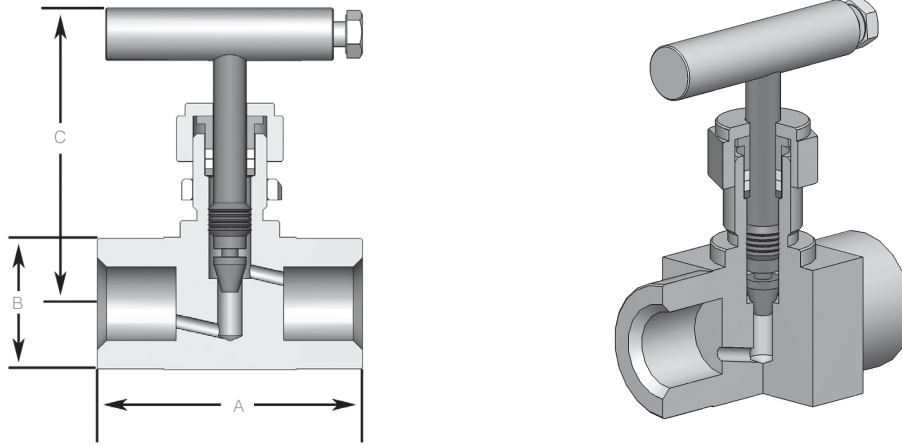
Flow Schematic



Pressure and Temperature Chart



Dimensions



| Connection | Dimensions, inches (mm) | | | Weight Lbs (Kgs) | Orifice Size |
|-------------------------|-------------------------|------------|------------|------------------|--------------|
| | A | B | C | | |
| 1/8" (DN6) MNPT x MNPT | 2.00 (51) | 0.88 (221) | 2.63 (67) | 1.0 (0,5) | 0.12" (3) |
| 1/4" (DN8) MNPT x MNPT | 2.00 (51) | 0.88 (221) | 2.63 (67) | 1.0 (0,5) | 0.18" (5) |
| 3/8" (DN10) MNPT x MNPT | 2.50 (64) | 1.25 (32) | 3.50 (89) | 1.7 (0,8) | 0.24" (6) |
| 1/2" (DN15) MNPT x MNPT | 2.50 (64) | 1.25 (32) | 3.50 (89) | 1.7 (0,8) | 0.24" (6) |
| 3/4" (DN20) MNPT x MNPT | 2.63 (67) | 1.38 (35) | 3.75 (95) | 2.1 (1,0) | 0.39"(10) |
| 1/8" (DN6) FNPT x FNPT | 2.00 (51) | 0.88 (22) | 2.63 (67) | 1.0 (0,5) | 0.12" (3) |
| 1/4" (DN8) FNPT x FNPT | 2.00 (51) | 0.88 (22) | 2.63 (67) | 1.0 (0,5) | 0.18" (5) |
| 3/8" (DN10) FNPT x FNPT | 2.00 (51) | 1.25 (32) | 3.50 (89) | 1.7 (0,8) | 0.24" (6) |
| 1/2" (DN15) FNPT x FNPT | 2.50 (64) | 1.25 (32) | 3.50 (89) | 1.7 (0,8) | 0.24" (6) |
| 3/4" (DN20) FNPT x FNPT | 2.63 (67) | 1.38 (35) | 3.75 (95) | 2.1 (1,0) | 0.39"(10) |
| 1" (DN25) FNPT x FNPT | 3.13 (79) | 1.88 (48) | 4.75 (121) | 2.5 (1,2) | 0.39"(10) |
| 1/8" (DN6) Tube Nut | 2.00 (51) | 0.88 (22) | 2.63 (67) | 1.0 (0,5) | 0.12" (3) |
| 1/4" (DN8) Tube Nut | 2.00 (51) | 0.88 (22) | 2.63 (67) | 1.0 (0,5) | 0.18" (5) |
| 3/8" (DN10) Tube Nut | 2.00 (51) | 1.25 (32) | 3.50 (89) | 1.7 (0,8) | 0.24" (6) |
| 1/2" (DN15) Tube Nut | 2.00 (51) | 1.25 (32) | 3.50 (89) | 1.7 (0,8) | 0.24" (6) |
| 3/4" (DN20) Tube Nut | 2.00 (51) | 1.38 (35) | 3.75 (95) | 2.1 (1,0) | 0.39"(10) |
| 1/8" (DN6) MNPT x FNPT | 2.00 (51) | 0.88 (22) | 2.63 (67) | 1.0 (0,5) | 0.12" (3) |
| 1/4" (DN8) MNPT x FNPT | 2.00 (51) | 0.88 (22) | 2.63 (67) | 1.0 (0,5) | 0.18" (5) |
| 3/8" (DN10) MNPT x FNPT | 2.50 (64) | 1.25 (32) | 3.50 (89) | 1.7 (0,8) | 0.24" (6) |
| 1/2" (DN15) MNPT x FNPT | 2.50 (64) | 1.25 (32) | 3.50 (89) | 1.7 (0,8) | 0.24" (6) |
| 3/4" (DN20) MNPT x FNPT | 2.63 (67) | 1.38 (35) | 3.75 (95) | 2.1 (1,0) | 0.39"(10) |

How to Order

| Model Number | Connection Type | Size | Option |
|--------------|-------------------------|------------------------|---------------------|
| HN39 | M = MNPT x MNPT | 1 = 1/8" (DN6) (NPT) | G = Grafoil Packing |
| | F = FNPT x FNPT | 2 = 1/4" (DN8) (NPT) | R = Round Handle |
| | T = Tube Nut x Tube Nut | 3 = 3/8" (DN10) (NPT) | B = BSPP Ends |
| | MF = MNPT x FNPT | 4 = 1/2" (DN15) (NPT) | T = BSPT Ends |
| | FM = FNPT x MNPT | 6 = 3/4" (DN20) (NPT) | D = NACE |
| | Z = Non-Standard | 8 = 1" (DN25) (NPT) | |
| | | 6MM = 6mm (Tube Nut) | |
| | | 8MM = 8mm (Tube Nut) | |
| | | 10MM = 10mm (Tube Nut) | |
| | | 14MM = 14mm (Tube Nut) | |
| | | 18MM = 18mm (Tube Nut) | |
| | | 25MM = 25mm (Tube Nut) | |
| | | Z = Non-Standard | |

Standard packing is TFE. Add "-G" for grafoil.

If more than one option is required, separate option codes with - (dash). See examples: HN39F-4-G; HN39M-1-B

Sample Ordering Schematic

| | | | |
|------|---|-----|---|
| HN39 | T | 6MM | G |
|------|---|-----|---|