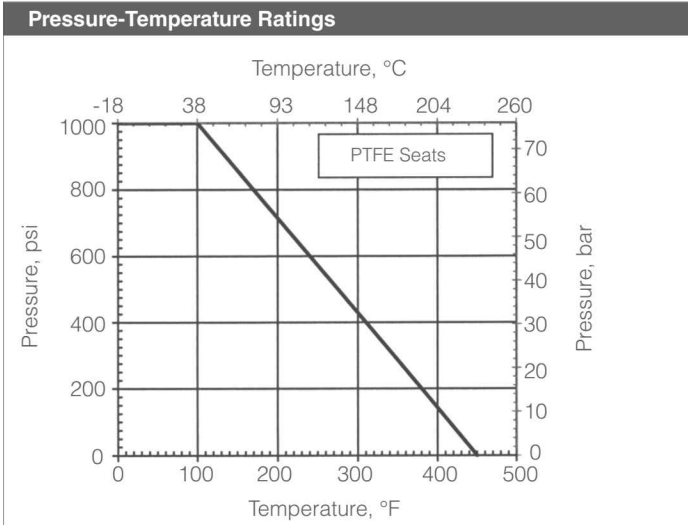




Features

- Investment cast body construction
- ISO 5211 D & T actuator mounting pad
- Blow-out proof stem
- PTFE 4-seat design
- Adjustable PTFE packing
- API 598 inspection and testing
- PED 97/23/EC; ISO 9001
- Locking Lever Operator



Technical Specifications

Valve Size		Torque, in-lbs (N·m)	Flow Coefficient, Cv (Kv)		Weight, lb (kg)
Inches	NPS		3L3800	3T3700	
1/4"	DN8	93 (10,5)	5.6 (4,8)	7.0 (6,0)	1.5 (0,7)
3/8"	DN10	93 (10,5)	5.6 (4,8)	7.0 (6,0)	1.5 (0,7)
1/2"	DN15	100 (11)	6.0 (5,2)	13.0 (11,2)	1.5 (0,7)
3/4"	DN20	150 (17)	8.0 (6,9)	29.0 (25,0)	2.5 (1,1)
1"	DN25	300 (34)	11 (9,5)	49.0 (42,2)	4.0 (1,8)
1-1/4"	DN32	385 (43)	32 (27,6)	72 (62)	5.0 (2,3)
1-1/2"	DN40	450 (51)	65 (56)	110 (95)	7.5 (3,4)
2"	DN50	580 (66)	112 (97)	213 (184)	15.0 (6,8)

3T-3700RTTS Series Multi-Port Valve
3L-3800RTTS Series Multi-Port Valve

Quick Spec

Product Scope	
Size Range	1/4" – 2", Reduced Port, FNPT Ends
Port Type	L-Port or T-Port
Port Orientation	Side Entry
Pressure Rating	1000 psi CWP (69 bar)
Temperature Range	-20° F to 350°F (-29°C to 177°C)
Body, Ball & Stem	Stainless Steel, Anti-Static Design
Ball Seats	PTFE
Stem Packing	Adjustable PTFE
Body Seals	PTFE
Operator / Mounting Pad	Manual Locking Lever / ISO 5211
Design Standards	
Design	ASME 16.34
Threaded End Design	ASME B1.20.1
Testing Standards	
Pressure Testing	API 598

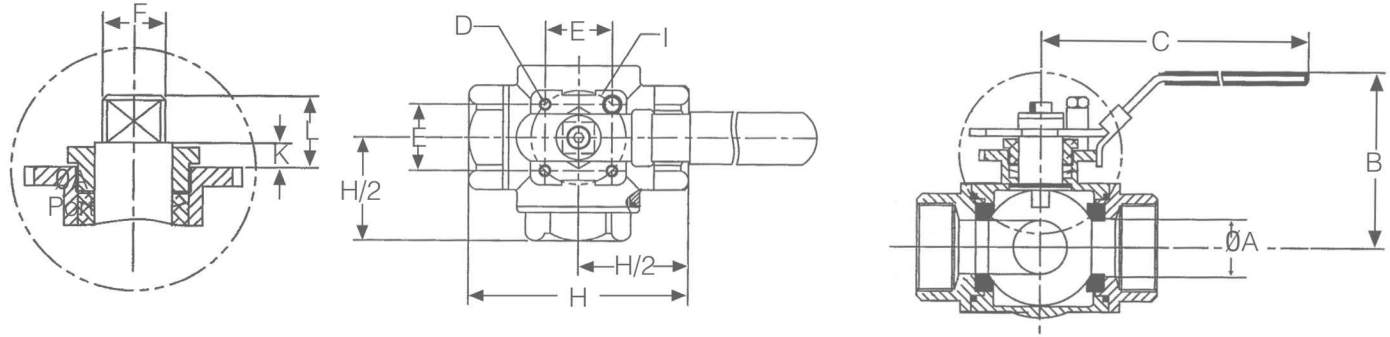
Materials of Construction

Part	Material Specification
Body	316 Stainless Steel
End Cap	316 Stainless Steel
Ball	316 Stainless Steel
Stem	316 Stainless Steel
Seat	PTFE
Thrust Washer	PTFE
Stem Packing	PTFE
Body Seal	RPTFE
Gland	304 Stainless Steel
Handle	304 Stainless Steel
Handle Washer	304 Stainless Steel
Washer	304 Stainless Steel
Handle Nut	304 Stainless Steel
Handle Cover	Vinyl

Seat Tightness Note: If closed port pressure exceeds open port pressure, the ball may be forced slightly off the seat, which would allow mixing from all ports. Occurrence may vary depending upon flow and ambient conditions.

Port Arrangement

Position Flow Pattern	A	B	C
T1 180°			
T2 180°			
T3 90° (standard)			
T4 90°			
L1 180°			
L2 90° (standard)			
L3 180°			



Dimensions, Inches												
Valve Size Inches	3T3700/3L3800 Series											
	ØA	B	C	D	E	F	H	I	K	L	ISO 5211	Wt (lbs)
1/4"	0.43	2.28	4.17	M5x0.8	1.17	0.345	2.68	1.65	0.24	0.43	F04	1.54
3/8"	0.43	2.28	4.17	M5x0.8	1.17	0.345	2.68	1.65	0.24	0.43	F04	1.54
1/2"	0.50	2.40	5.43	M5x0.8	1.17	0.345	2.95	1.65	0.24	0.43	F04	1.54
3/4"	0.63	2.91	5.43	M6x1	1.39	0.433	3.39	1.97	0.24	0.51	F05	2.43
1"	0.79	3.19	6.38	M6x1	1.39	0.433	4.06	1.97	0.30	0.75	F05	3.97
1-1/4"	0.98	3.46	6.38	M6x1	1.39	0.433	4.53	1.97	0.30	0.75	F05	5.07
1-1/2"	1.26	4.09	8.66	M8x1.25	1.95	0.433	4.92	2.76	0.33	0.93	F07	7.50
2"	1.50	4.33	8.66	M8x1.25	1.95	0.551	5.75	2.76	0.33	0.96	F07	15.0

Dimensions, mm												
Valve Size NPS	3T3700/3L3800 Series											
	ØA	B	C	D	E	F	H	I	K	L	ISO 5211	Wt (kgs)
DN8	10,9	57,9	106	M5x0.8	29,7	9,0	68,1	41,9	6,1	10,9	F04	0,70
DN10	10,9	57,9	106	M5x0.8	29,7	9,0	68,1	41,9	6,1	10,9	F04	0,70
DN15	12,7	61,1	138	M5x0.8	29,7	9,0	74,9	41,9	6,1	10,9	F04	0,70
DN20	16,0	73,9	138	M6x1	35,3	11,0	86,1	50,0	6,1	13,0	F05	1,10
DN25	20,1	81,0	162	M6x1	35,3	11,0	103	50,0	7,6	19,1	F05	1,80
DN32	24,9	87,9	162	M6x1	35,3	11,0	115	50,0	7,6	19,1	F05	2,30
DN40	32,0	104	220	M8x1.25	49,5	11,0	125	70,1	8,4	23,6	F07	3,40
DN50	38,1	110	220	M8x1.25	49,5	14,0	146	70,1	8,4	24,4	F07	6,80

Model	Size	Body Mat'l	1	2	3	4	5	6	7	8	9	10	11	12

	Model Number
3T-3700R	3 Way Ball Valve
3L-3800R	3 Way Ball Valve

Size	
025	1/4"
038	3/8"
050	1/2"
075	3/4"
100	1"
125	1-1/4"
150	1-1/2"
200	2"

Body Material	
S6	Stainless Steel

1&2	End Connections
AA	FNPT

3&4	Operation
HL	Lever
NN	None
P1	UT-0A-DA STD
P2	UT-0-DA STD
P3	UT-1-DA STD
P4	UT-2-DA STD
P5	UT-2.5-DA STD
P6	UT-3-DA STD
S1	UT-0-SR STD
S2	UT-1-SR STD
S3	UT-2-SR STD
S4	UT-2.5-SR STD
S5	UT-3-SR-STD
S6	UT-3.5-SR STD
S7	UT-4-SR STD
M1	ER-1-2.5-4 110 VAC
M2	ER-2-5-4 110 VAC
M3	ER-3-5-4 110 VAC
M8	ER-4-10-4 110 VAC
M4	ER-6-15-4 (110 VAC)
M5	ER-10-15-4 110 VAC
ZZ	Non-Standard

5&6	Actuator Pressure
60	60 psi
80	80 psi
NN	N/A (no pneumatic actuator)
ZZ	Non-Standard

7&8	Solenoid Feature	Act. Type
00	None	
3A	3W 8551-120VAC N4 UT-0/5	SR
3C	3W EF8551-120VAc N7 UT-0/5	SR
3J	3W 8317G35-120VAC N4 UT-0/2.5	SR
3M	3W 8321G1-120VAC N4 UT-3/5	SR
3Q	3W EF8317G35-120VAC N7 UT-0/2.5	SR
3R	3W EF8321G1-120VAC N7 UT-3/5	SR
4A	4W 8551-120VAC N4 UT-0A	DA
4B	4W 8551-120VAC N4 UT-0/5	DA
4D	4W EF8551-120VAC N7 UT-0A	DA
4E	4W EF8551-120VAC N7 UT0/5	DA
ZZ	Non-Standard	

9&10	Limit Switch
00	None
AA	LS FMFB-5120-N4 to UT-0/3
AB	LS FMFB-5120-N4 to UT-3.5/7
AC	LS AMFB-5120-N7 to UT-0/3
AD	LS AMFB-510-N7 to UT-3.5/7
OZ	Non-Standard

11&12	Start Position
3A	T3A
3B	T3B
4A	T4A
4B	T4B
8A	T8A
8B	T8B
9A	T9A
9B	T9B
A2	L2A
B2	L2B

Marwin Valve

A Division of Richards Industrials, 3170 Wasson Road, Cincinnati, OH 45209
 toll free. 800.543.7311, local. 513.533.5600, fax. 513.871.0105
www.marwinvalve.com



Vinnova Exploration
sales@vinnova.asia
 063-271-9119
www.vinnova.asia